



# Wideband, Low-Noise, Voltage-Feedback OPERATIONAL AMPLIFIER

## FEATURES

- HIGH BANDWIDTH: 400MHz (G = +10)
- LOW INPUT VOLTAGE NOISE:  $1.2\text{nV}/\sqrt{\text{Hz}}$
- VERY LOW DISTORTION:  $-100\text{dBc}$  (5MHz)
- HIGH SLEW RATE:  $625\text{V}/\mu\text{s}$
- HIGH DC ACCURACY:  $V_{IO} \pm 150\mu\text{V}$
- LOW SUPPLY CURRENT: 12.6mA
- HIGH GAIN BANDWIDTH PRODUCT: 1750MHz
- STABLE FOR GAINS  $\geq 7$

## DESCRIPTION

The OPA846 combines very high gain bandwidth and large signal performance with very low input voltage noise, while dissipating a low 12.6mA supply current. The classical differential input stage, along with two stages of forward gain and a high power output stage, combine to make the OPA846 an exceptionally low distortion amplifier with excellent DC accuracy and output drive. The voltage-feedback architecture allows all standard op amp applications to be implemented with very high performance.

The combination of low input voltage and current noise, along with a 1.75GHz gain bandwidth product, make the OPA846 an ideal amplifier for wideband transimpedance stages. As a voltage gain stage, the OPA846 is optimized for a flat response at a gain of +10 and is stable down to a gain of +7.

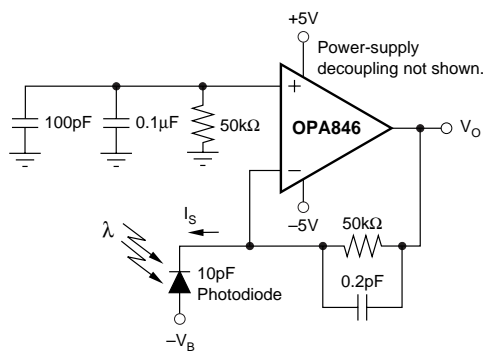
## APPLICATIONS

- HIGH DYNAMIC RANGE ADC PREAMPS
- LOW-NOISE, WIDEBAND, TRANSIMPEDANCE AMPLIFIERS
- WIDEBAND, HIGH GAIN AMPLIFIERS
- LOW-NOISE DIFFERENTIAL RECEIVERS
- VDSL LINE RECEIVERS
- ULTRASOUND CHANNEL AMPLIFIERS
- SECURITY SENSOR FRONT ENDS
- UPGRADE FOR THE OPA686, CLC425, AND LMH6624

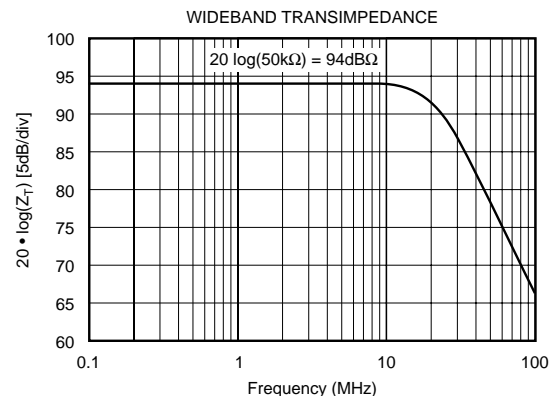
A new external compensation technique can be used to give a very flat frequency response below the minimum stable gain for the OPA846, further improving its already exceptional distortion performance. Using this compensation makes the OPA846 one of the premier 12- to 16-bit Analog-to-Digital (A/D) converter input drivers. The supply current for the OPA846 is precisely trimmed to 12.6mA at +25°C. This, along with carefully defined supply current tempco in the input and output stages, combine to provide exceptional performance over the full specified temperature range.

## OPA846 RELATED PRODUCTS

SINGLES	INPUT NOISE VOLTAGE ( $\text{nV}/\sqrt{\text{Hz}}$ )	GAIN BANDWIDTH PRODUCT (MHz)
OPA842	2.4	200
OPA843	2.0	800
OPA847	0.85	3900



High Gain, 20MHz Transimpedance Amplifier



Please be aware that an important notice concerning availability, standard warranty, and use in critical applications of Texas Instruments semiconductor products and disclaimers thereto appears at the end of this data sheet.

All trademarks are the property of their respective owners.

PRODUCTION DATA information is current as of publication date. Products conform to specifications per the terms of Texas Instruments standard warranty. Production processing does not necessarily include testing of all parameters.

## ABSOLUTE MAXIMUM RATINGS<sup>(1)</sup>

Power Supply .....	$\pm 6.5V_{DC}$
Internal Power Dissipation .....	See Thermal Analysis Section
Differential Input Voltage .....	$\pm 1.2V$
Input Voltage Range .....	$\pm V_S$
Storage Temperature Range: D, DBV .....	$-40^{\circ}C$ to $+125^{\circ}C$
Lead Temperature (soldering, 10s) .....	$+300^{\circ}C$
Junction Temperature ( $T_J$ ) .....	$+150^{\circ}C$
ESD Rating (Human Body Model) .....	2000V
(Charge Device Model) .....	1500V
(Machine Model) .....	200V

NOTE: (1) Stresses above these ratings may cause permanent damage. Exposure to absolute maximum conditions for extended periods may degrade device reliability. These are stress ratings only, and functional operation of the device at these or any other conditions beyond those specified is not implied.



## ELECTROSTATIC DISCHARGE SENSITIVITY

This integrated circuit can be damaged by ESD. Texas Instruments recommends that all integrated circuits be handled with appropriate precautions. Failure to observe proper handling and installation procedures can cause damage.

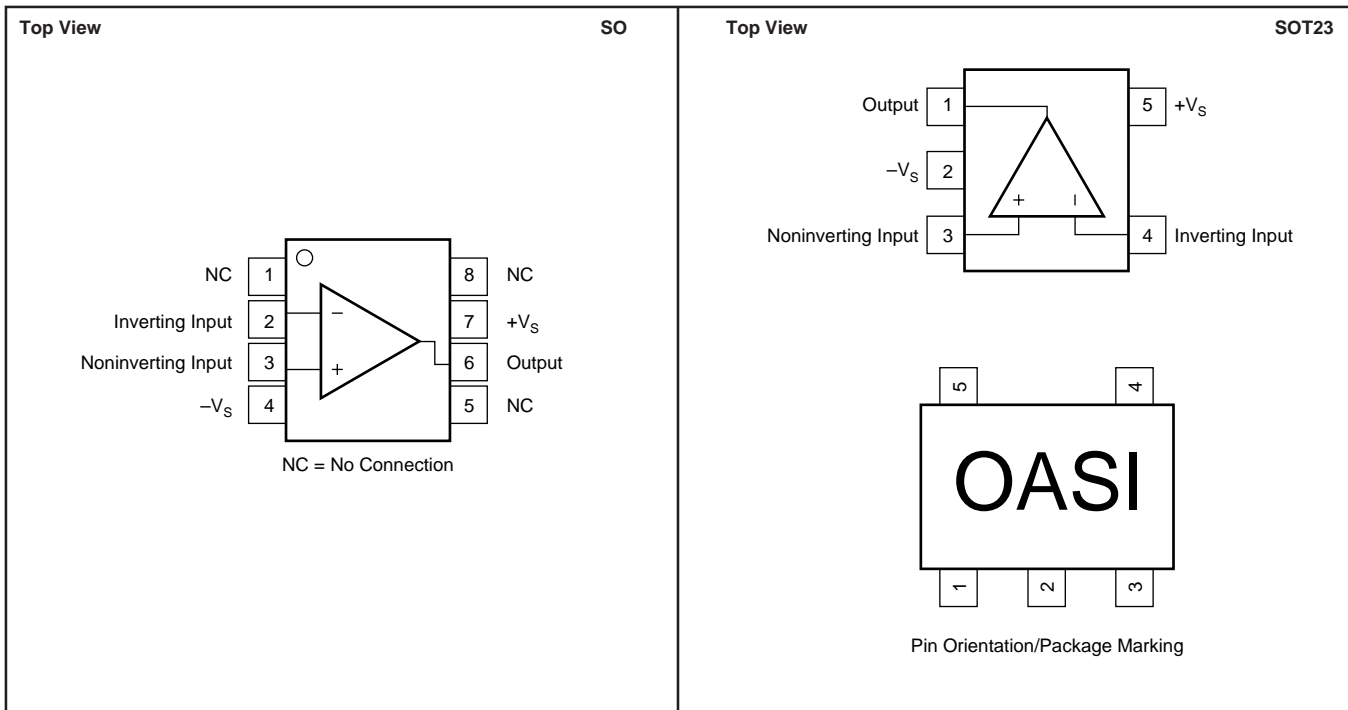
ESD damage can range from subtle performance degradation to complete device failure. Precision integrated circuits may be more susceptible to damage because very small parametric changes could cause the device not to meet its published specifications.

## PACKAGE/ORDERING INFORMATION<sup>(1)</sup>

PRODUCT	PACKAGE-LEAD	PACKAGE DESIGNATOR	SPECIFIED TEMPERATURE RANGE	PACKAGE MARKING	ORDERING NUMBER	TRANSPORT MEDIA, QUANTITY
OPA846	SO-8	D	$-40^{\circ}C$ to $+85^{\circ}C$	OPA846	OPA846ID	Rails, 100
"	"	"	"	"	OPA846IDR	Tape and Reel, 2500
OPA846	SOT23-5	DBV	$-40^{\circ}C$ to $+85^{\circ}C$	OASI	OPA846IDBVT	Tape and Reel, 250
"	"	"	"	"	OPA846IDBVR	Tape and Reel, 3000

NOTE: (1) For the most current package and ordering information, see the Package Option Addendum located at the end of this document, or see the TI web site at [www.ti.com](http://www.ti.com).

## PIN CONFIGURATIONS



# ELECTRICAL CHARACTERISTICS: $V_S = \pm 5V$

**Boldface** limits are tested at **+25°C**.

$R_F = 453\Omega$ ,  $R_L = 100\Omega$ , and  $G = +10$ , unless otherwise noted. See Figure 1 for AC performance.

PARAMETER	CONDITIONS	OPA846ID, IDBV					UNITS	MIN/ MAX	TEST LEVEL <sup>(3)</sup>
		TYP	MIN/MAX OVER TEMPERATURE						
		+25°C	+25°C <sup>(1)</sup>	0°C to 70°C <sup>(2)</sup>	-40°C to +85°C <sup>(2)</sup>				
<b>AC PERFORMANCE (see Figure 1)</b>									
Closed-Loop Bandwidth	$G = +7$ , $R_G = 50\Omega$ , $V_O = 200mV_{PP}$	500				MHz	typ	C	
	$G = +10$ , $R_G = 50\Omega$ , $V_O = 200mV_{PP}$	400	270	250	225	MHz	min	B	
	$G = +20$ , $R_G = 50\Omega$ , $V_O = 200mV_{PP}$	110	82	80	75	MHz	min	B	
Gain Bandwidth Product (GBP)	$G \geq +40$	1750	1275	1245	1200	MHz	min	B	
Bandwidth for 0.1dB Gain Flatness	$G = +10$ , $R_L = 100\Omega$ , $V_O = 200mV_{PP}$	140	40	36	35	MHz	min	B	
Peaking at a Gain of +7						dB	typ	C	
<b>Harmonic Distortion</b>									
2nd-Harmonic	$G = +10$ , $f = 5MHz$ , $V_O = 2V_{PP}$								
	$R_L = 100\Omega$	-76	-70	-68	-66	dBc	max	B	
	$R_L = 500\Omega$	-100	-89	-87	-85	dBc	max	B	
3rd-Harmonic	$R_L = 100\Omega$	-109	-95	-92	-90	dBc	max	B	
	$R_L = 500\Omega$	-112	-105	-101	-96	dBc	max	B	
2-Tone, 3rd-Order Intercept	$G = +10$ , $f = 10MHz$	44	41	40	38	dBm	min	B	
Input Voltage Noise	$f > 1MHz$	1.2	1.3	1.4	1.5	$nV/\sqrt{Hz}$	max	B	
Input Current Noise	$f > 1MHz$	2.8	3.5	3.6	3.6	$pA/\sqrt{Hz}$	max	B	
Rise-and-Fall Time	0.2V Step	1.2	1.5	1.6	1.8	ns	max	B	
Slew Rate	2V Step	625	500	425	350	V/ $\mu s$	min	B	
Settling Time to 0.01%	2V Step	15				ns	typ	C	
0.1%	2V Step	10	12	14	16	ns	max	B	
1%	2V Step	6	8	10	12	ns	max	B	
Differential Gain	$G = +10$ , NTSC, $R_L = 150\Omega$	0.02				%	typ	C	
Differential Phase	$G = +10$ , NTSC, $R_L = 150\Omega$	0.02				deg	typ	C	
<b>DC PERFORMANCE<sup>(4)</sup></b>									
Open-Loop Voltage Gain ( $A_{OL}$ )	$V_O = 0V$	90	<b>82</b>	81	80	dB	min	A	
Input Offset Voltage	$V_{CM} = 0V$	$\pm 0.15$	<b><math>\pm 0.60</math></b>	$\pm 0.68$	$\pm 0.70$	mV	max	A	
Average Offset Voltage Drift	$V_{CM} = 0V$	$\pm 0.4$	<b><math>\pm 1.5</math></b>	$\pm 1.5$	$\pm 1.5$	$\mu V/^\circ C$	max	B	
Input Bias Current	$V_{CM} = 0V$	-10	<b>-19</b>	-19.8	-21	$\mu A$	max	A	
Input Bias Current Drift	$V_{CM} = 0V$	$\pm 1$	<b><math>\pm 20</math></b>	$\pm 20$	$\pm 35$	$nA/^\circ C$	max	B	
Input Offset Current	$V_{CM} = 0V$	$\pm 0.1$	<b><math>\pm 0.35</math></b>	$\pm 0.45$	$\pm 0.60$	$\mu A$	max	A	
Input Offset Current Drift	$V_{CM} = 0V$	$\pm 0.7$	<b><math>\pm 2</math></b>	$\pm 2$	$\pm 3.5$	$nA/^\circ C$	max	B	
<b>INPUT</b>									
Common-Mode Input Range (CMIR) <sup>(5)</sup>	$V_{CM} = \pm 1V$ , Input Referred	$\pm 3.2$	<b><math>\pm 3.0</math></b>	$\pm 2.9$	$\pm 2.8$	V	min	A	
Common-Mode Rejection (CMR)		110	<b>95</b>	93	90	dB	min	A	
Input Impedance									
Differential-Mode	$V_{CM} = 0V$	6.6    2.0				k $\Omega$    pF	typ	C	
Common-Mode	$V_{CM} = 0V$	4.7    1.8				M $\Omega$    pF	typ	C	
<b>OUTPUT</b>									
Output Voltage Swing	$\geq 400\Omega$ Load	$\pm 3.4$	<b><math>\pm 3.3</math></b>	$\pm 3.2$	$\pm 3.1$	V	min	A	
	100 $\Omega$ Load	$\pm 3.3$	<b><math>\pm 3.2</math></b>	$\pm 3.0$	$\pm 2.9$	V	min	A	
Current Output, Sourcing	$V_O = 0V$	80	<b>65</b>	61	60	mA	min	A	
Current Output, Sinking	$V_O = 0V$	-80	<b>-65</b>	-61	-60	mA	min	A	
Closed-Loop Output Impedance	$G = +10$ , $f = 100kHz$	0.002				$\Omega$	typ	C	
<b>POWER SUPPLY</b>									
Specified Operating Voltage		$\pm 5$				V	typ	C	
Maximum Operating Voltage			<b><math>\pm 6</math></b>	$\pm 6$	$\pm 6$	V	max	A	
Maximum Quiescent Current	$V_S = \pm 5V$	12.6	<b>12.9</b>	13.0	13.2	mA	max	A	
Minimum Quiescent Current	$V_S = \pm 5V$	12.6	<b>12.3</b>	12.1	11.8	mA	min	A	
Power-Supply Rejection Ratio (-PSRR)	$-V_S = -4.5$ to $-5.5$ (Input Referred)	95	<b>90</b>	88	85	dB	min	A	
<b>THERMAL CHARACTERISTICS</b>									
Specified Operating Range: D, DBV Package		-40 to +85				$^\circ C$	typ	C	
Thermal Resistance, $\theta_{JA}$	Junction-to-Ambient								
D SO-8		125				$^\circ C/W$	typ	C	
DBV SOT23-5		150				$^\circ C/W$	typ	C	

NOTES: (1) Junction temperature = ambient for +25°C min/max specifications.

(2) Junction temperature = ambient at low temperature limit; junction temperature = ambient +23°C at high temperature limit for over temperature min/max specifications.

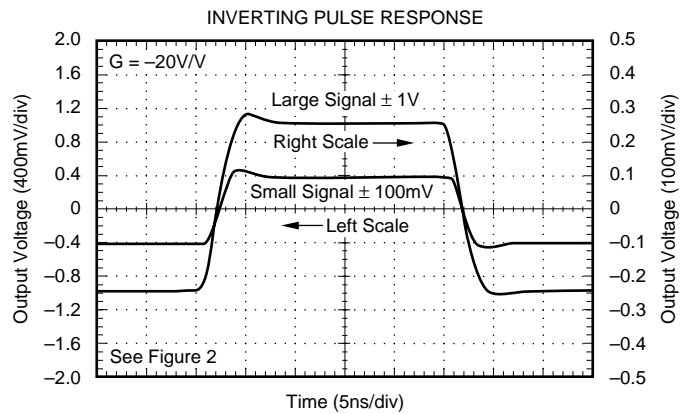
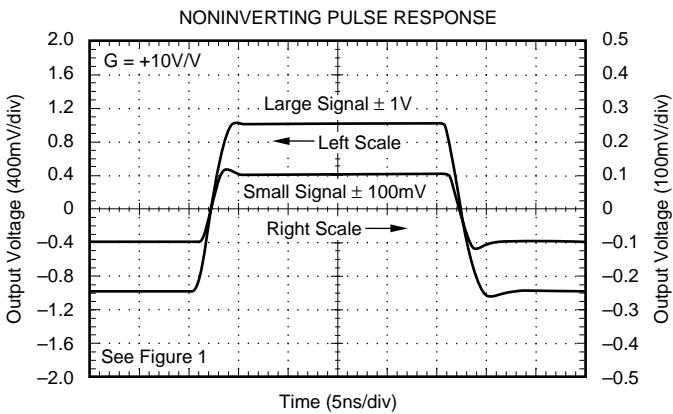
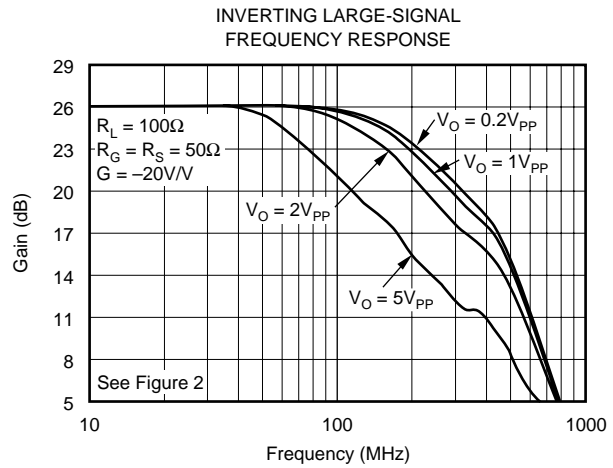
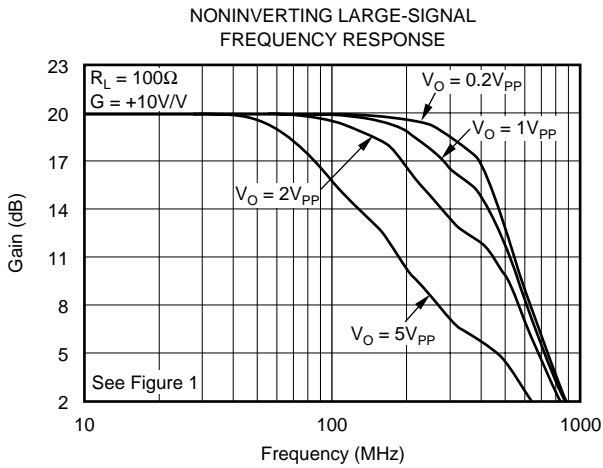
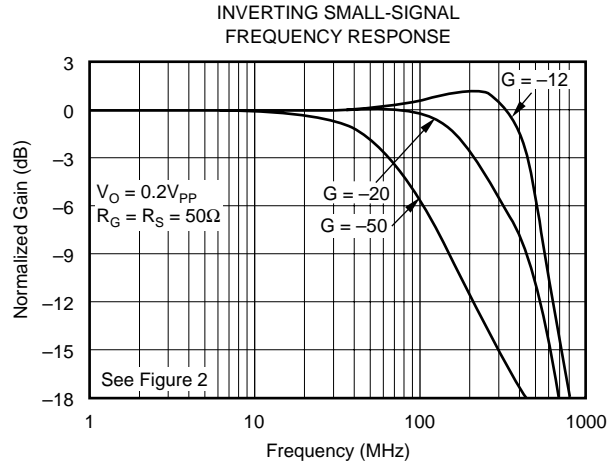
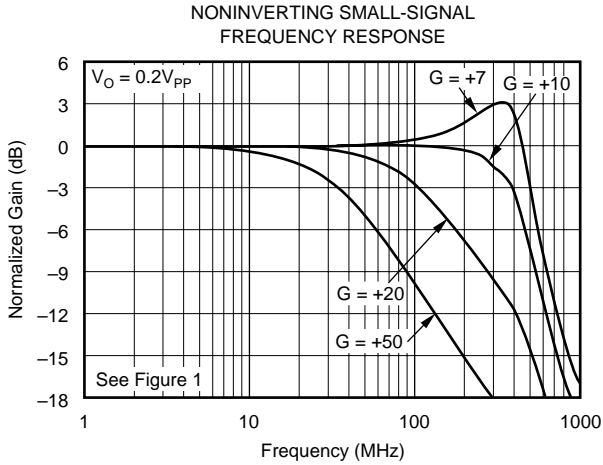
(3) Test Levels: (A) 100% tested at +25°C. Over temperature limits by characterization and simulation. (B) Limits set by characterization and simulation. (C) Typical value only for information.

(4) Current is considered positive out-of-node.  $V_{CM}$  is the input common-mode voltage.

(5) Tested < 3dB below minimum specified CMR at  $\pm$  CMIR limits.

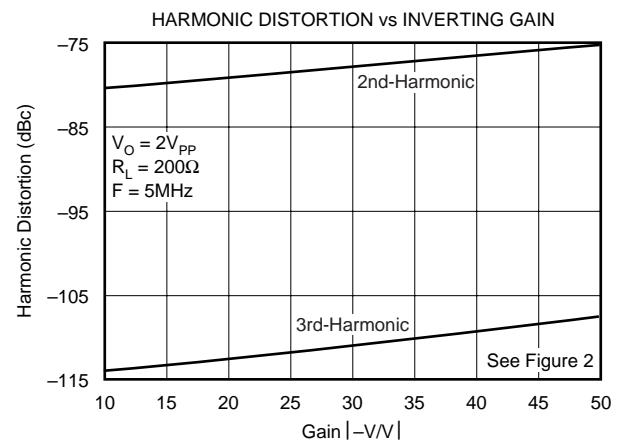
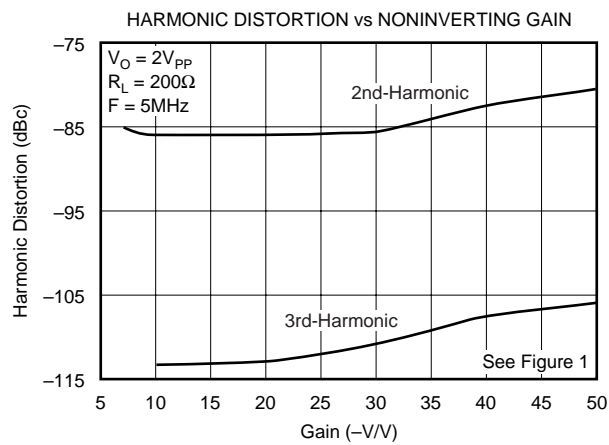
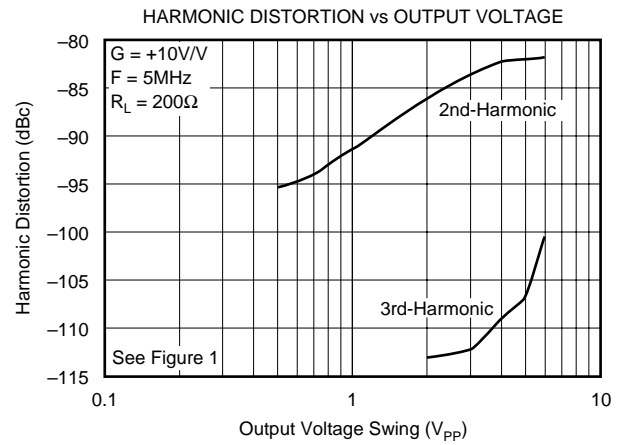
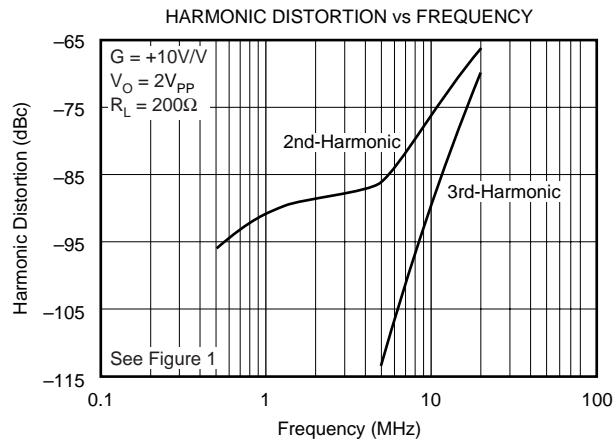
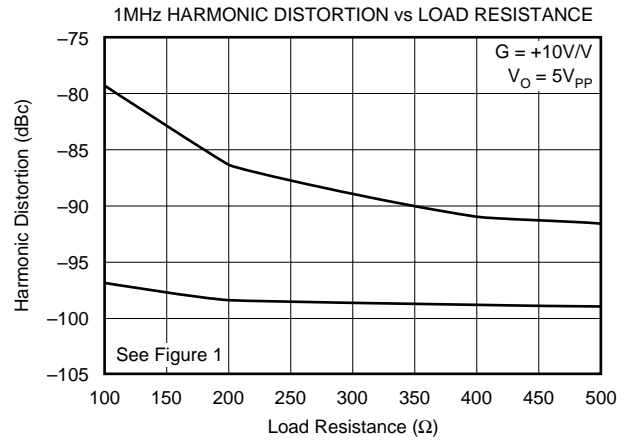
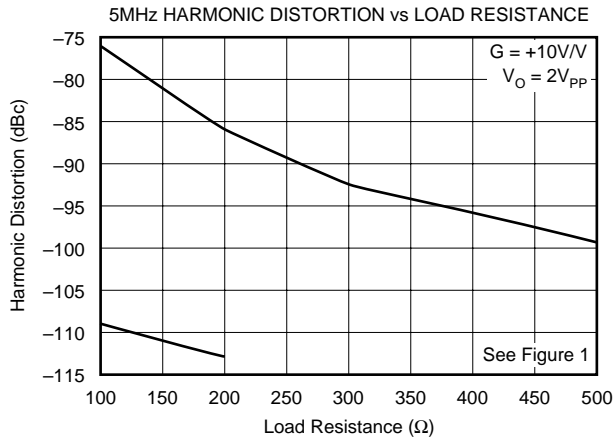
# TYPICAL CHARACTERISTICS: $V_S = \pm 5V$

$T_A = 25^\circ C$ ,  $G = +10$ ,  $R_F = 453\Omega$ ,  $R_G = 50\Omega$ , and  $R_L = 100\Omega$ , unless otherwise noted.



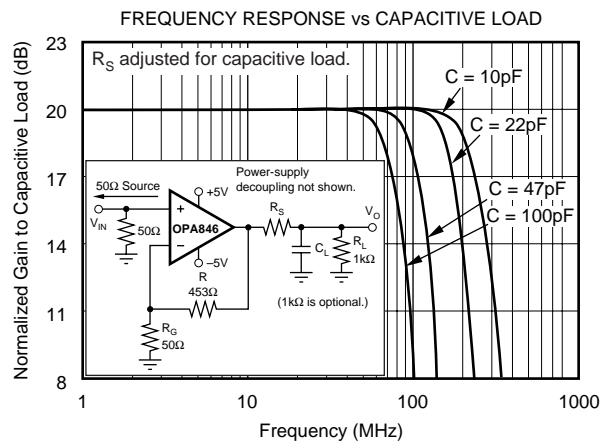
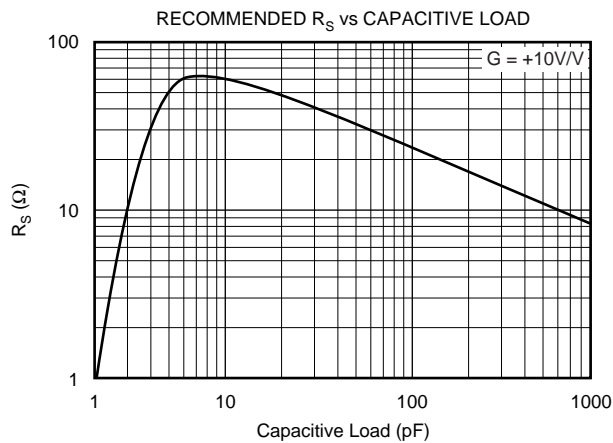
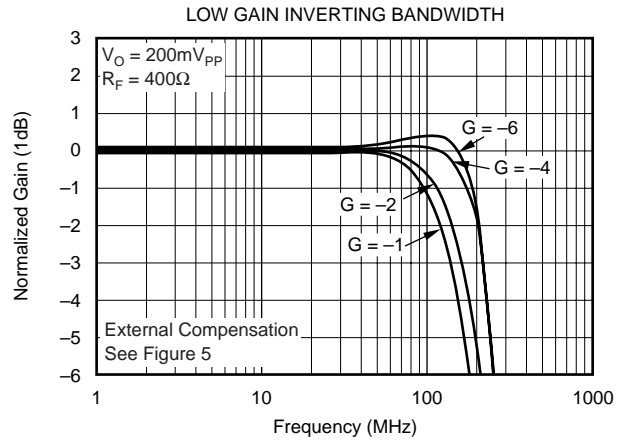
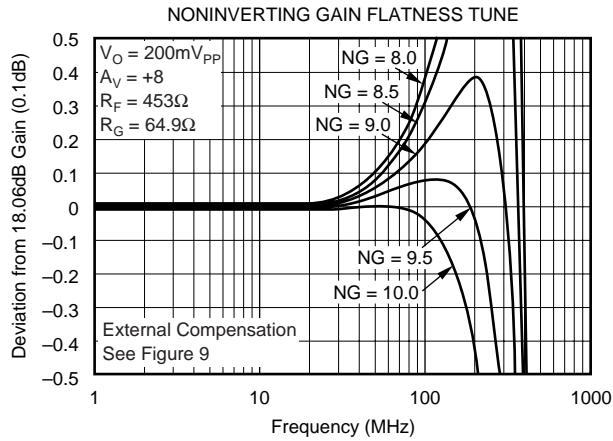
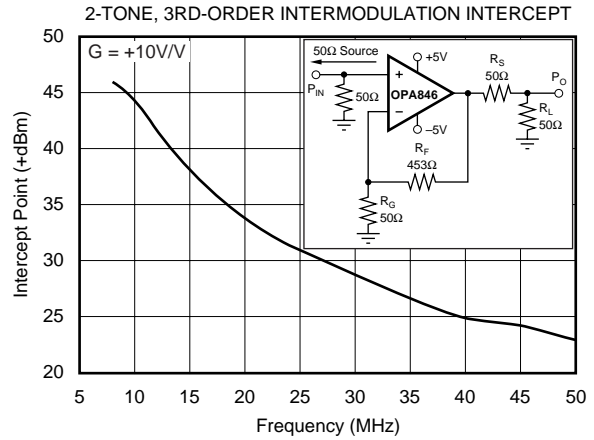
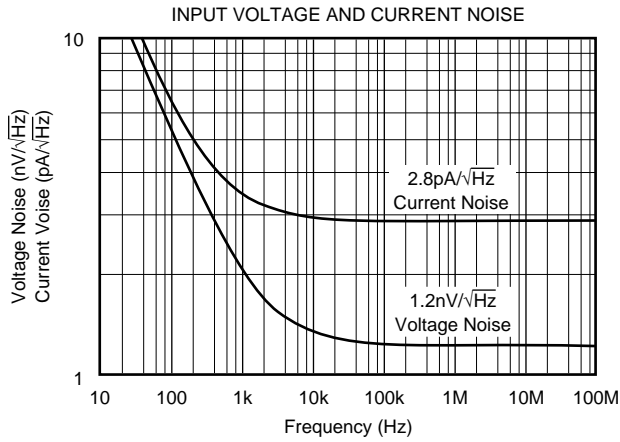
# TYPICAL CHARACTERISTICS: $V_S = \pm 5V$ (Cont.)

$T_A = 25^\circ C$ ,  $G = +10$ ,  $R_F = 453\Omega$ ,  $R_G = 50\Omega$ , and  $R_L = 100\Omega$ , unless otherwise noted.



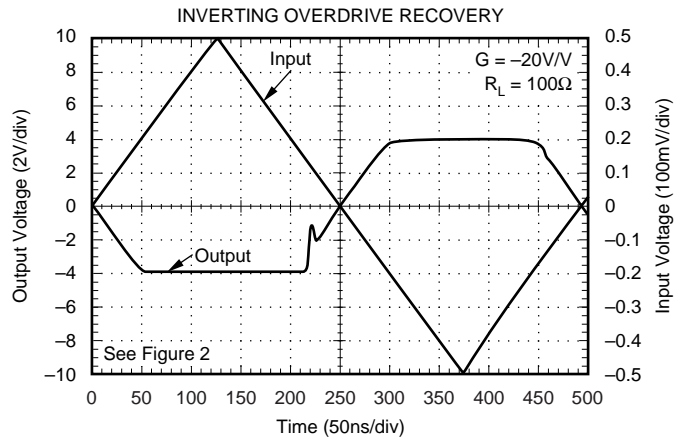
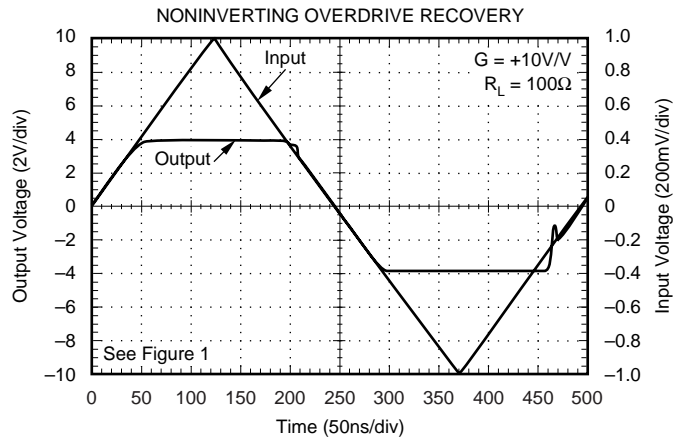
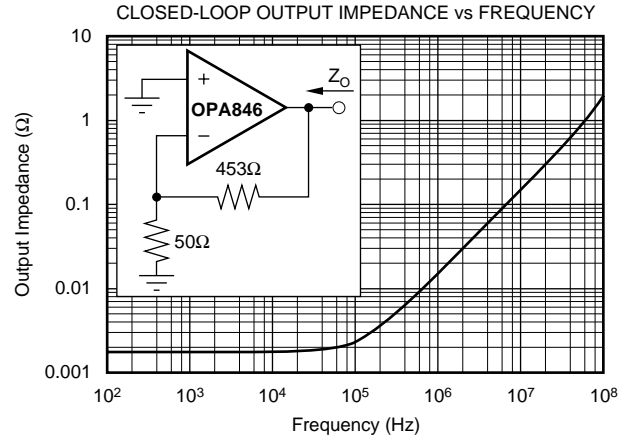
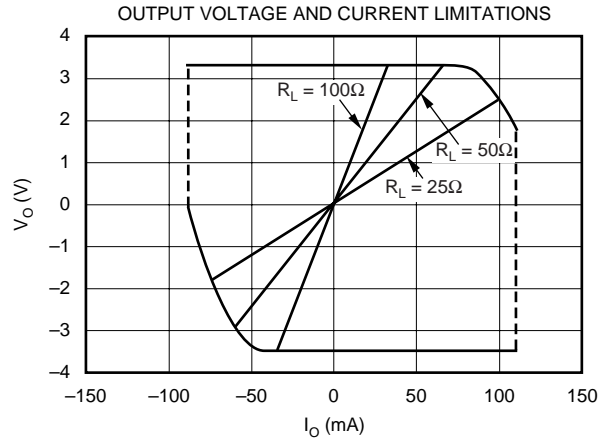
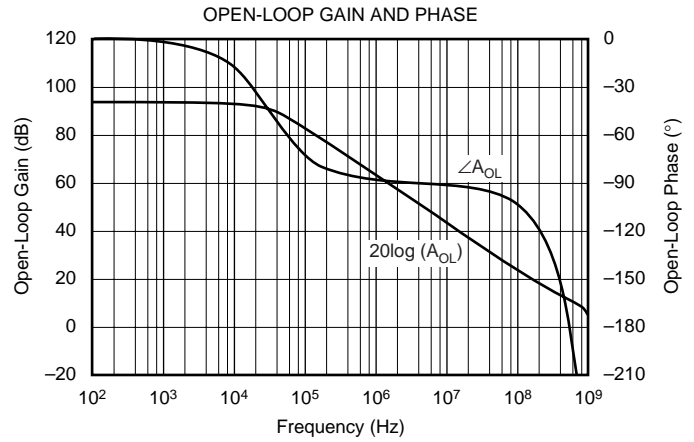
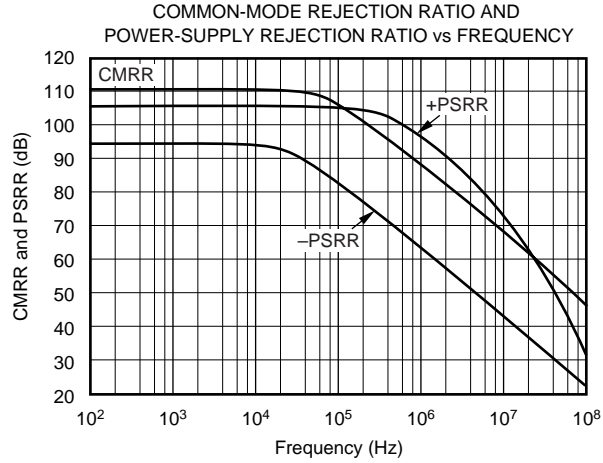
# TYPICAL CHARACTERISTICS: $V_S = \pm 5V$ (Cont.)

$T_A = 25^\circ C$ ,  $G = +10$ ,  $R_F = 453\Omega$ ,  $R_G = 50\Omega$ , and  $R_L = 100\Omega$ , unless otherwise noted.



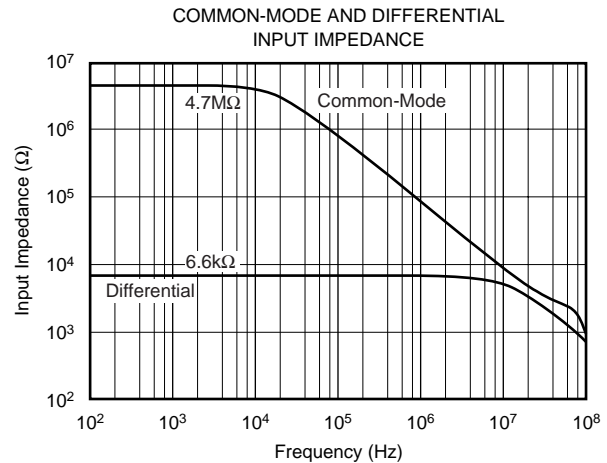
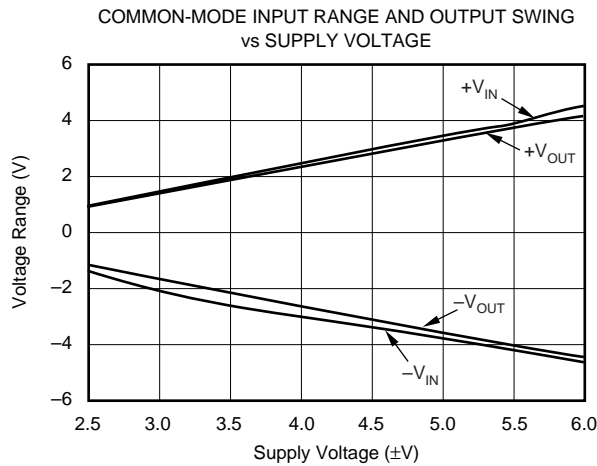
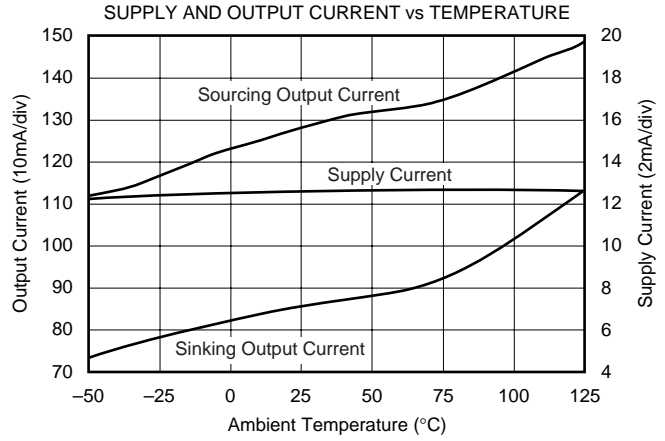
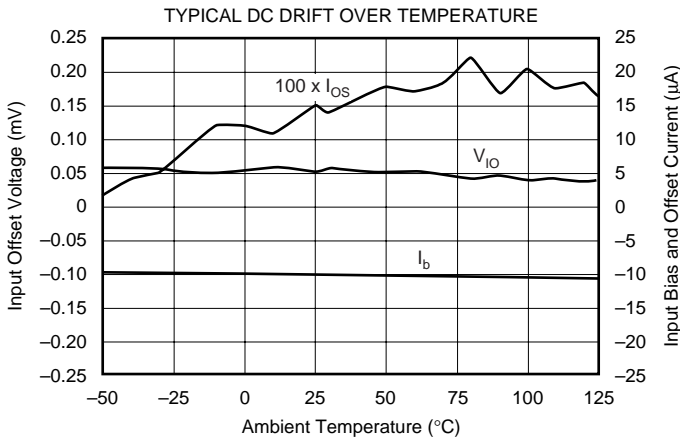
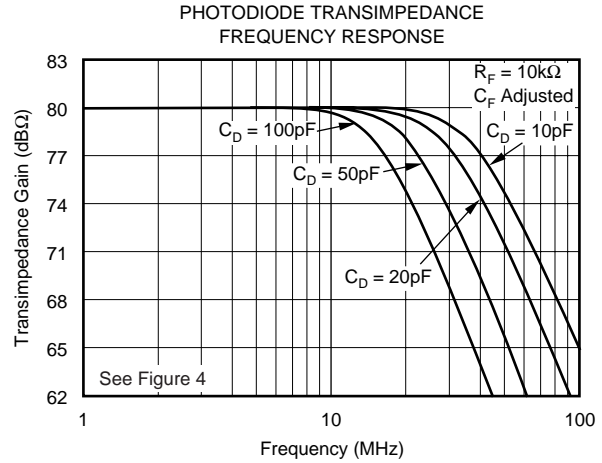
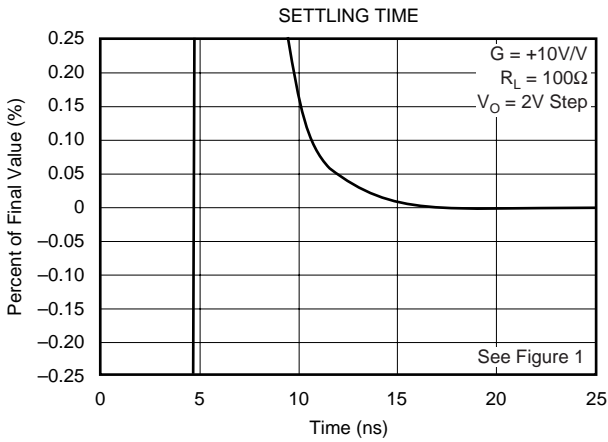
# TYPICAL CHARACTERISTICS: $V_S = \pm 5V$ (Cont.)

$T_A = 25^\circ C$ ,  $G = +10$ ,  $R_F = 453\Omega$ ,  $R_G = 50\Omega$ , and  $R_L = 100\Omega$ , unless otherwise noted.



# TYPICAL CHARACTERISTICS: $V_S = \pm 5V$ (Cont.)

$T_A = 25^\circ C$ ,  $G = +10$ ,  $R_F = 453\Omega$ ,  $R_G = 50\Omega$ , and  $R_L = 100\Omega$ , unless otherwise noted.

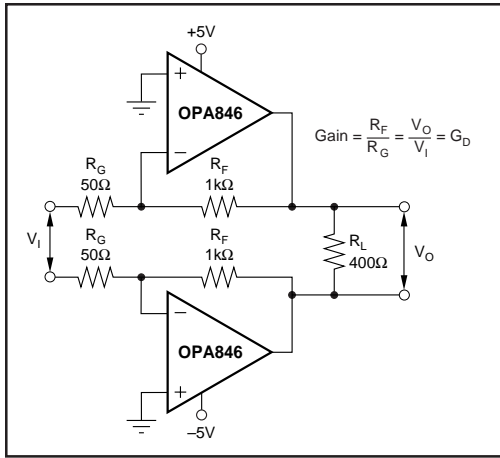




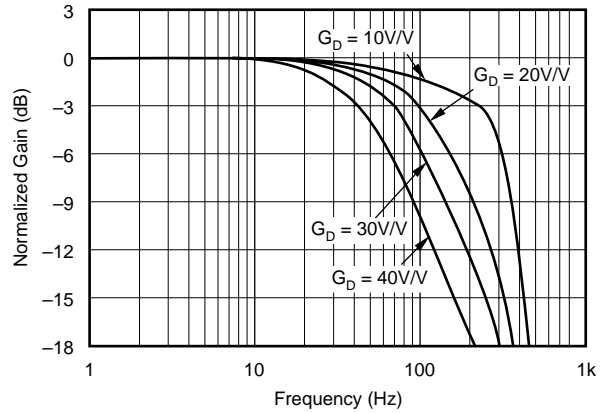
# TYPICAL CHARACTERISTICS: $V_S = \pm 5V$

$T_A = 25^\circ C$ ,  $G_D = 20$ ,  $R_G = 50\Omega$ , and  $R_L = 400\Omega$ , unless otherwise noted.

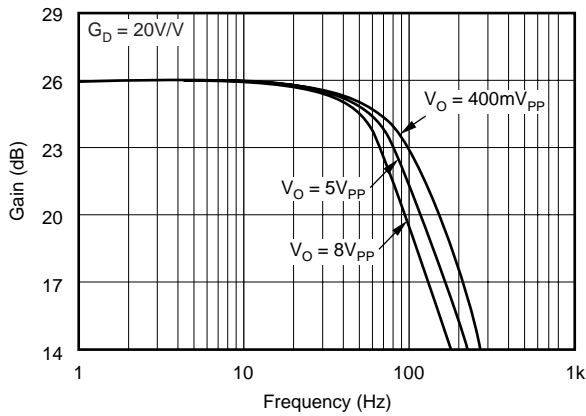
DIFFERENTIAL PERFORMANCE TEST CIRCUIT



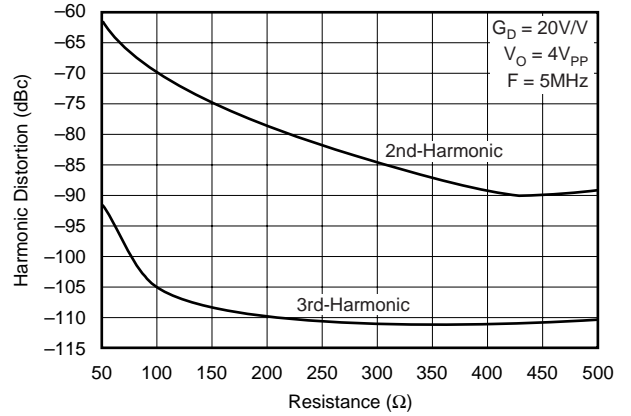
DIFFERENTIAL SMALL-SIGNAL FREQUENCY RESPONSE



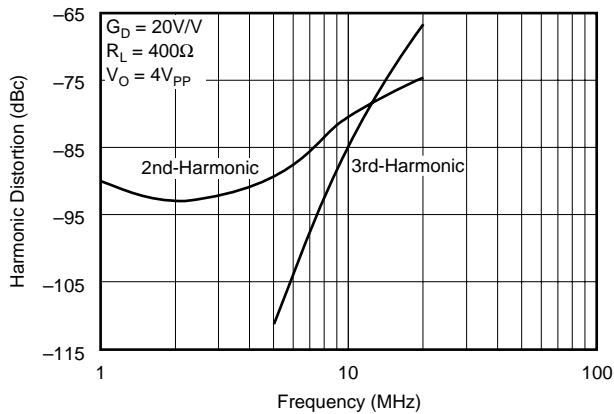
DIFFERENTIAL LARGE-SIGNAL FREQUENCY RESPONSE



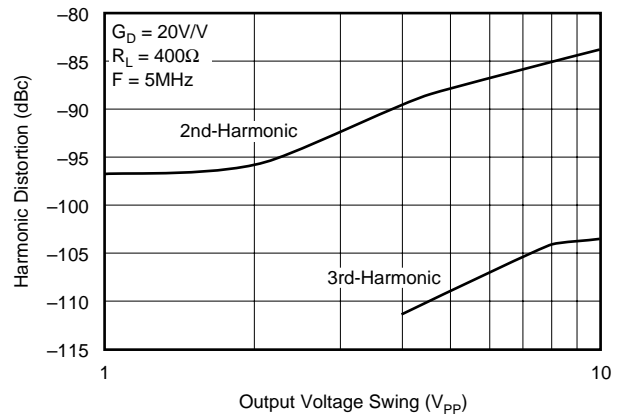
DIFFERENTIAL DISTORTION vs LOAD RESISTANCE



DIFFERENTIAL DISTORTION vs FREQUENCY



DIFFERENTIAL DISTORTION vs OUTPUT VOLTAGE



# APPLICATIONS INFORMATION

## WIDEBAND, NONINVERTING OPERATION

The OPA846 provides a unique combination of features. Low input voltage noise, along with a very low distortion output stage, gives one of the highest dynamic range op amps available. The very high Gain Bandwidth Product (GBP) can be used either to deliver high signal bandwidths at high gain, or to deliver very low distortion signals at moderate frequencies and lower gains. To achieve the full performance of the OPA846, careful attention to PC board layout and component selection is required, as discussed in the following sections of this data sheet.

Figure 1 shows the noninverting gain of a 10V/V circuit used as the basis of the Electrical Characteristics and most of the Typical Characteristic curves. Most of the curves are characterized using signal sources with a 50Ω driving impedance, and with a 50Ω load impedance presented by the measurement equipment. In Figure 1, the 50Ω resistor at the  $V_{IN}$  terminal matches the source impedance of the test generator, while the 50Ω series resistor at the  $V_O$  terminal provides a matching resistor for the measurement equipment load. Generally, the data sheet voltage swing specifications are at the output pin ( $V_O$  in Figure 1), while the output power (dBm) specifications are at the matched 50Ω load. The total 100Ω load at the output, combined with the 503Ω total feedback network load, presents the OPA846 with an effective output load of 83Ω for the circuit of Figure 1.

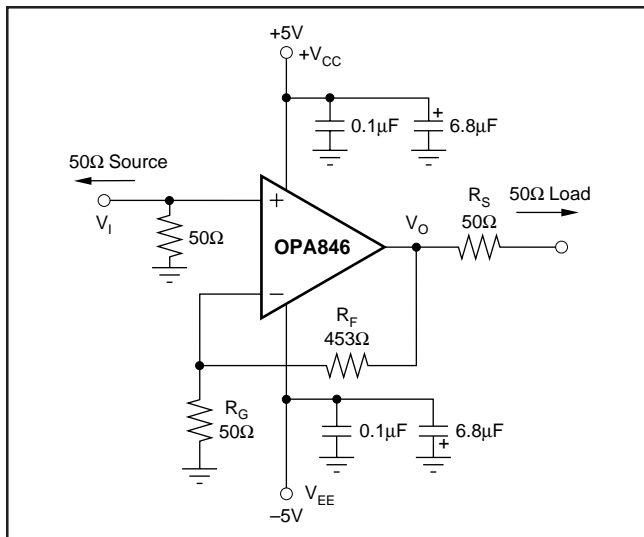


FIGURE 1. DC-Coupled,  $G = +10V/V$ , Bipolar Supply, Specification and Test Circuit.

Voltage-feedback op amps (unlike current-feedback designs) can use a wide range of resistor values to set the gain, although these resistors usually have low values to maintain a low total output noise. The circuit of Figure 1, and the specifications at other gains, use the constraint that  $R_G$  be set to 50Ω and  $R_F$  adjusted to get the desired gain. Using this

guideline ensures that the noise added at the output due to the Johnson noise of the resistors does not significantly increase the total noise over that due to the 1.2nV/ $\sqrt{Hz}$  input voltage noise for the op amp. Higher resistor values can certainly be used where the application requires it, but can start to add significantly to the output noise power as described in the Setting Resistor Values to Minimize Noise section.

## WIDEBAND INVERTING GAIN OPERATION

Operating the OPA846 as an inverting amplifier has several benefits and is particularly appropriate when a matched input impedance is required. Figure 2 shows the inverting gain circuit used as the basis of the inverting mode of the Typical Characteristic curves.

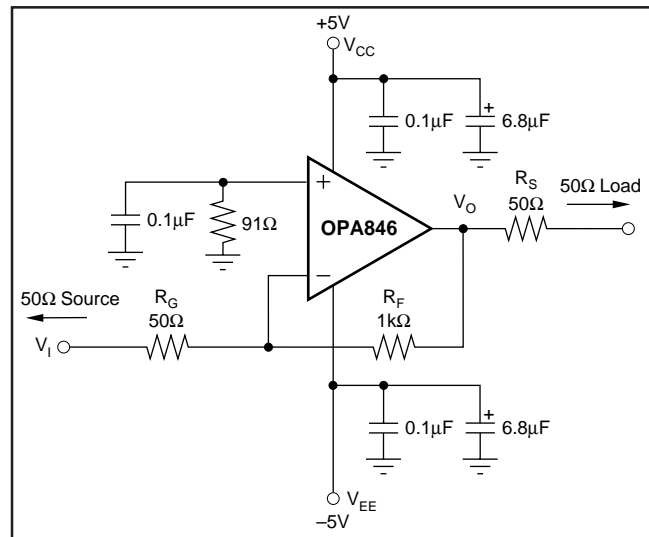


FIGURE 2. DC-Coupled,  $G = -20V/V$ , Bipolar Supply, Specification and Test Circuit.

Driving this circuit from a 50Ω source, and constraining the gain resistor ( $R_G$ ) to equal 50Ω, gives both a signal bandwidth and noise advantage.  $R_G$  acts as both the input termination resistor and the gain setting resistor for the circuit. Although the signal gain ( $V_O/V_I$ ) for the circuit of Figure 2 is double that for Figure 1, the noise gains are in fact equal when the 50Ω source resistor is included. This has the interesting effect of doubling the equivalent GBP of the amplifier. This can be seen by observing the 200MHz bandwidth for the inverting gain of  $-20$ . This implies a GBP of 4GHz, when in fact this extended bandwidth is given by the reduced noise gain when the matched source resistor is included. If the signal source is actually the low impedance output of another amplifier,  $R_G$  is increased to the minimum load resistance value allowed for that amplifier and  $R_F$  is then adjusted to achieve the desired gain. For stable operation of the OPA846, it is critical that this driving amplifier show very low output impedance at frequencies beyond the expected closed-loop bandwidth for the OPA846.

## WIDEBAND, HIGH-SENSITIVITY TRANSIMPEDANCE DESIGN

The high GBP and low input voltage and current noise for the OPA846 make it an ideal wideband transimpedance amplifier. Very high transimpedance gains (> 100kΩ) benefit from the low input noise current of a JFET-input op amp, such as the OPA657. Unity-gain stability in the op amp is not required for application as a transimpedance amplifier. One transimpedance design example is shown on the front page of this data sheet. Designs that require high bandwidths from a large area (high capacitance) detector with relatively low transimpedance gain will benefit from the low input voltage noise offered by the OPA846. This input voltage noise is peaked up over frequency at the output by the diode source capacitance, and can, in many cases, become the limiting factor to input sensitivity. The key elements of the design are the expected diode capacitance ( $C_D$ ) with the reverse bias voltage ( $-V_B$ ) applied, the desired transimpedance gain ( $R_F$ ), and the GBP of the OPA846 (1750MHz). Figure 3 shows a design using a 50pF detector diode capacitance and a 10kΩ transimpedance gain. With these three variables set (including the parasitic input capacitance for the OPA846 added to  $C_D$ ) the feedback capacitor ( $C_F$ ) value can be set to control the frequency response. To achieve a maximally flat 2nd-order Butterworth frequency response, set the feedback pole as shown in Equation 1.

$$\frac{1}{2\pi R_F C_F} = \sqrt{\frac{\text{GBP}}{4\pi R_F C_D}} \quad (1)$$

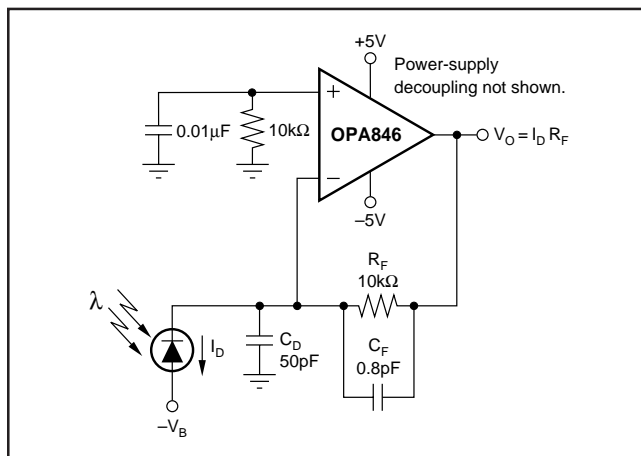


FIGURE 3. Wideband, Low Noise, Transimpedance Amplifier.

Adding the common-mode and differential-mode input capacitance (1.8 + 2.0)pF to the 50pF diode source capacitance of Figure 3, with a 10kΩ transimpedance gain using the 1750MHz GBP for the OPA846, requires a feedback pole set to 16.1MHz. This requires a 1pF total feedback capacitance. Typical surface-mount resistors have 0.2pF parasitic capacitance leaving a required extrinsic 0.8pF value, as shown in Figure 3. Equation 2 gives the approximate -3dB bandwidth, if  $C_F$  is set using Equation 1.

$$f_{-3\text{dB}} = \sqrt{\frac{\text{GBP}}{2\pi R_F C_D}} \text{ (Hz)} \quad (2)$$

The example of Figure 3 gives approximately 23MHz flat bandwidth using the 0.8pF feedback compensation. If the total output noise is bandlimited to a frequency less than the feedback pole frequency, a simple expression for the equivalent input noise current is given as Equation 3.

$$I_{\text{EQ}} = \sqrt{I_{\text{N}}^2 + \frac{4kT}{R_F} + \left(\frac{E_{\text{N}}}{R_F}\right)^2 + \frac{(E_{\text{N}} 2\pi F C_D)^2}{3}} \quad (3)$$

Where:

$I_{\text{EQ}}$  = equivalent input noise current if the output noise is bandlimited to  $F < 1/(2\pi R_F C_F)$

$I_{\text{N}}$  = input current noise for the op amp inverting input

$E_{\text{N}}$  = input voltage noise for the op amp

$C_D$  = diode capacitance

$F$  = bandlimiting frequency in Hz (usually a post filter prior to further signal processing)

$4kT = 1.6E - 20J$  at  $T = 290K$

Evaluating this expression up to the feedback pole frequency at 16.1MHz for the circuit of Figure 3 gives an equivalent input noise current of 4.9pA/√Hz. This is much higher than the 2.8pA/√Hz for just the op amp. This result is dominated by the last term in the equivalent input noise current calculation from Equation 3. It is essential in this case to use a low-voltage noise op amp. For example, if a slightly higher input noise voltage, but otherwise identical op amp, was used instead of the OPA846 amplifier in this application noise amplifier (say 2.0nV/√Hz), the total input-referred current noise would increase to 7.0pA/√Hz.

The output DC error for the circuit of Figure 3 is minimized by including the 10kΩ to ground on the noninverting input. This reduces the impact at the output of input bias current errors to the offset current times the feedback resistor. To minimize the output noise contribution of this resistor, a 0.01μF capacitor is included in parallel. Worst-case output DC error for the circuit of Figure 3 at 25°C is:

$V_{\text{OS}} = \pm 0.6\text{mV}$  (input offset voltage)  $\pm 0.35\mu\text{A}$  (input offset current)  $\cdot 10\text{k}\Omega = \pm 4.1\text{mV}$

Worst-case output offset DC drift is over the 0°C to 70°C span is  $dV_{\text{OS}}/dT = \pm 1.5\mu\text{V}/^\circ\text{C}$  (input offset drift)  $\pm 2\text{nA}/^\circ\text{C}$  (input offset current drift)  $\cdot 10\text{k}\Omega = \pm 21.5\mu\text{V}/^\circ\text{C}$

Improved output DC precision and drift is possible, particularly at higher transimpedance gains, using the JFET input of the OPA657. The JFET input removes the input bias current from the error equation (eliminating the need for the resistor to ground on the noninverting input), leaving only the input offset voltage and drift as an output error term.

Included in the characteristic curves are transimpedance frequency response curves for a fixed 10kΩ gain over various detector diode capacitance settings. These curves, along with the test circuit, are repeated in Figure 4. As the photo-

diode capacitance changes, the feedback capacitor must change to maintain a stable and flat frequency response. Using Equation 1,  $C_F$  is adjusted to give the Butterworth frequency responses presented in Figure 4.

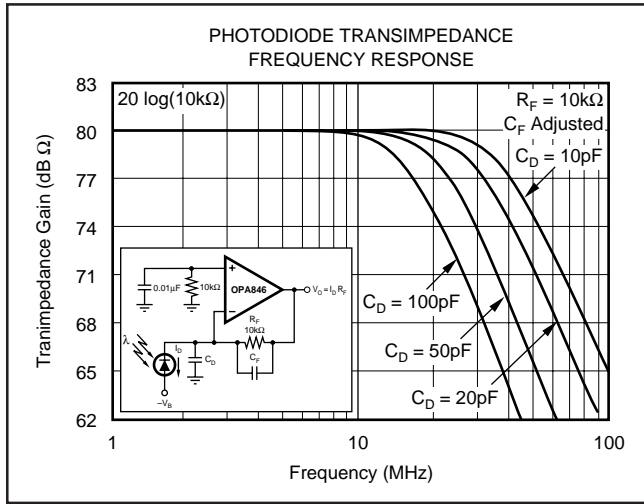


FIGURE 4. Transimpedance Bandwidth versus  $C_D$ .

### LOW-GAIN COMPENSATION FOR IMPROVED SFDR

Where a low gain is desired, and inverting operation is acceptable, a new external compensation technique may be used to retain the full slew rate and noise benefits of the OPA846, while giving increased loop gain and the associated improvement in distortion offered by the decompensated architecture. This technique shapes the loop gain for good stability, while giving an easily controlled 2nd-order low-pass frequency response. Considering only the noise gain (noninverting signal gain) for the circuit of Figure 5, the low-frequency noise gain ( $NG_1$ ) is set by the resistor ratios, while the high-frequency noise gain ( $NG_2$ ) is set by the capacitor ratios. The capacitor values set both the transition frequencies and the high-frequency noise gain. If this noise gain (determined by  $NG_2 = 1 + C_S/C_F$ ) is set to a value greater than the recommended minimum stable gain for the op amp and the noise gain pole (set by  $1/R_F C_F$ ) is placed correctly, a very well controlled, 2nd-order, low-pass frequency response results.

To choose the values for both  $C_S$  and  $C_F$ , two parameters and only three equations need to be solved. The first parameter is the target high-frequency noise gain ( $NG_2$ ), which should be greater than the minimum stable gain for the OPA846. Here, a target  $NG_2$  of 10.5 is used. The second parameter is the desired low-frequency signal gain  $-(R_F/R_G)$ , which also sets the low-frequency noise gain  $NG_1 = 1 + R_F/R_G$ . To simplify this discussion, target a maximally flat 2nd-order, low-pass Butterworth frequency response ( $Q = 0.707$ ). The signal gain of  $-2$  shown in Figure 5 sets the low-frequency noise gain to  $NG_1 = 1 + R_F/R_G = 3$  in this example). Then, using only these two gains and the GBP for the OPA846 (1750MHz), the key frequency in the compensation can be determined as:

$$Z_O = \frac{GBP}{NG_1^2} \left[ \left( 1 - \frac{NG_1}{NG_2} \right) - \sqrt{1 - 2 \frac{NG_1}{NG_2}} \right] \quad (4)$$

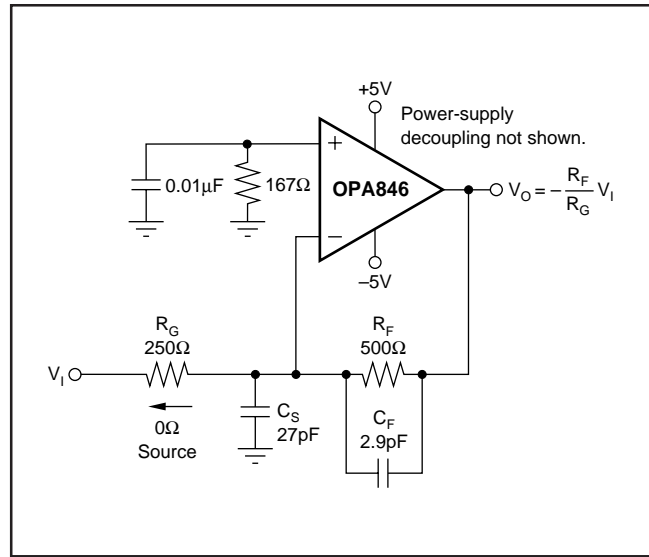


FIGURE 5. Broadband, Low-Gain, Inverting Amplifier.

Physically, this  $Z_O$  (11.6MHz for these values) is set by:

$$\frac{1}{2\pi R_F (C_F + C_S)}$$

and is the frequency at which the rising portion of the noise gain would intersect the unity gain if projected back to a 0dB gain. The actual zero in the noise gain occurs at  $NG_1 \cdot Z_O$ , and the pole in the noise gain occurs at  $NG_2 \cdot Z_O$ . Since GBP is expressed in Hz, multiply  $Z_O$  by  $2\pi$ , and use this to get  $C_F$  by solving:

$$C_F = \frac{1}{2\pi R_F Z_O NG_2} (= 2.86\text{pF}) \quad (5)$$

Finally, since  $C_S$  and  $C_F$  set the high-frequency noise gain, determine  $C_S$  by using  $NG_2 = 10.5$ :

$$C_S = (NG_2 - 1)C_F, \text{ which gives } C_S = 24.9\text{pF} \quad (6)$$

The resulting closed-loop bandwidth is approximately equal to:

$$f_{-3\text{dB}} \cong \sqrt{Z_O \cdot GBP} \quad (7)$$

For the values of Figure 5,  $f_{-3\text{dB}}$  is approximately 142MHz. This is less than that predicted by dividing the GBP product by  $NG_1$ . The compensation network controls the bandwidth to a lower value, while providing the full slew rate at the output and an exceptional distortion performance due to increased loop gain at frequencies below  $NG_1 \cdot Z_O$ . The capacitor values shown in Figure 5 are calculated for  $NG_1 = 3$  and  $NG_2 = 10.5$  with no adjustment for parasitic components.

See Figure 6 for the measured frequency response for the circuit of Figure 5. This shows the expected gain of  $-2$  (6dB) with exceptional flatness through 70MHz and a  $-3\text{dB}$  bandwidth of 170MHz. Repeating the swept frequency distortion measurement for a  $2V_{PP}$  output into a  $200\Omega$  load and comparing to the gain of  $+10$  data shown in the Typical Characteristic curves illustrates the improved distortion for this low-gain compensation circuit.

Figure 7 compares the distortion (at a gain of  $+10$  for the circuit of Figure 1 to the distortion at a gain of  $-2$  for the circuit of Figure 5).

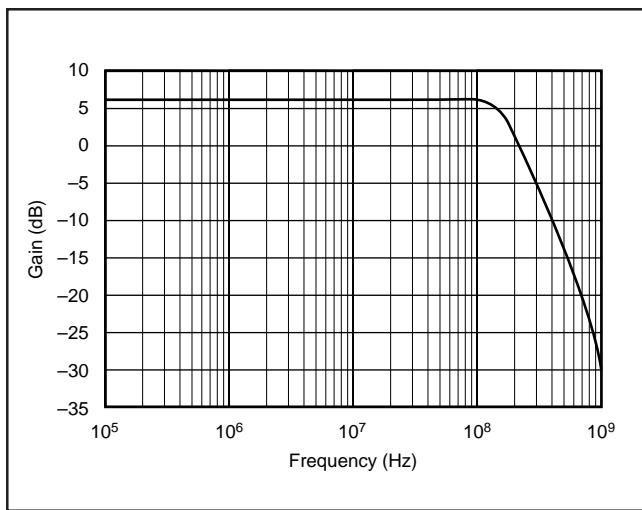


FIGURE 6. Gain of  $-2$  Frequency Response Using External Compensation.

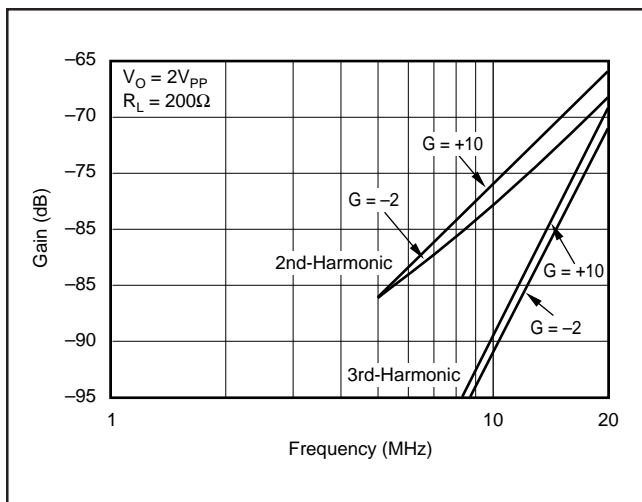


FIGURE 7. Distortion Comparison at  $G = +10$  versus  $G = -2$ .

### LOW-NOISE FIGURE, HIGH DYNAMIC RANGE IF AMPLIFIER

The low input noise voltage of the OPA846, and its high 2-tone, 3rd-order intercept, can be used to good advantage as a fixed-gain IF amplifier. While input noise figures in the 10dB range (for a matched  $50\Omega$  input) are easily achieved with just the OPA846 alone, Figure 8 shows a technique that reduces the noise figure even further, while providing a broadband, moderate-gain IF amplifier stage using the OPA846.

Bringing the signal in through a step-up transformer to the inverting input gain resistor has several advantages for the OPA846. First, grounding the noninverting input eliminates the contribution of the noninverting input current noise to the output noise. Second, the noninverting input voltage noise of the op amp is actually attenuated if reflected to the input side of  $R_G$ . Using the 1:2 (turns ratio) step-up transformer reflects the  $50\Omega$  source impedance at the primary through to the secondary as a  $200\Omega$  source impedance. The  $200\Omega$   $R_G$  resistor is reflected through to the trans-

former primary as a  $50\Omega$  input matching impedance. The noninverting signal gain (noise gain, NG) to the amplifier output is then  $1 + 1000/400 = 3.5V/V$ . Taking the input voltage noise ( $1.2nV/\sqrt{Hz}$ ) for the OPA846 times this noise gain to the output, then reflecting this noise term to the input side of the  $R_G$  resistor, divides it by 5. This gives a net gain of 0.7 for the noninverting input voltage noise when reflected to the input point for the op amp circuit. This term is further reduced when referred back to the transformer input.

The 14dB gain to the matched load, for the circuit of Figure 8, is precisely controlled ( $\pm 0.2dB$ ) and gives a 6dB noise figure at the input of the transformer. The DC noise gain for this circuit (3.5) is below the specified minimum stable gain. The amplifier portion of the circuit uses the low-gain inverting compensation described in the previous section. Measured results show 140MHz small-signal bandwidth for the circuit of Figure 8 with  $\pm 0.1dB$  flatness through 50MHz. The OPA846 easily delivers a  $2V_{PP}$  A/D converter full-scale input at the matched  $50\Omega$  load. 2-tone testing at 20MHz for the circuit of Figure 8 ( $1V_{PP}$  for each test tone) shows that the 2-tone intermodulation intercept has improved to 40dBm versus the 34dBm shown in the Typical Characteristic curves, giving a 72dBc SFDR for the two 4dBm test tones at the load. This high SFDR comes with relatively low total power dissipation versus fixed-gain IF amplifier alternatives. Significantly higher SFDR is delivered at lower frequencies and/or for the lighter loads driving A/D converter inputs directly.

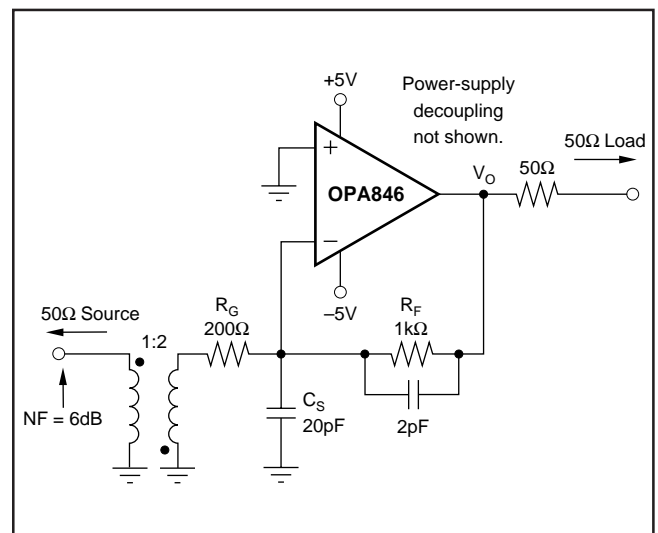


FIGURE 8. Low-Noise Figure IF Amplifier.

### NONINVERTING LOW-GAIN COMPENSATION

Decreasing the operating gain for the OPA846 from the nominal design point of +10 decreases the phase margin. This increases Q for the closed-loop poles, peaks up the frequency response, and extends the bandwidth. A peaked frequency response shows overshoot and ringing in the pulse response, as well as a higher integrated output noise. When operating the amplifier at a noise gain less than +7, increased peaking and possible sustained oscillations may



result. However, operation at low gains may be desirable to take advantage of the higher slew rate and exceptional DC precision of the OPA846. Numerous external compensation techniques are suggested for operating a high-gain op amp at low gains. Most of these give zero/pole pairs in the closed-loop response that cause long term settling tails in the pulse response and/or phase nonlinearity in the frequency response. Figure 9 shows an external compensation method for a noninverting configuration that does not suffer from these drawbacks.

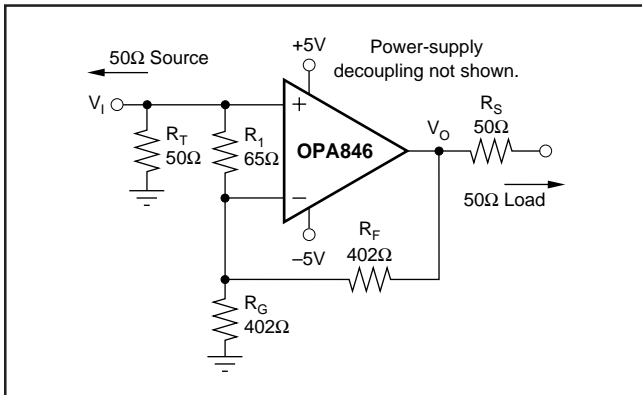


FIGURE 9. Noninverting Low-Gain Compensation.

The  $R_1$  resistor across the two inputs increases the noise gain (i.e., decreases the loop gain) without changing the signal gain. This approach retains the full slew rate to the output but gives up some of the low-noise benefit of the OPA846. Assuming a low source impedance is used, set  $R_1$  so that  $1 + R_F / (R_G \parallel R_1)$  is  $> 7$ . This approach may also be used to tune the flatness by adjusting  $R_1$ . The Typical Characteristic curves show a signal gain of +8 with the noise gain adjusted for flatness using different values for  $R_1$ . Figure 10 shows the measured frequency response for the circuit of Figure 9 showing the flat frequency response possible with this compensation.

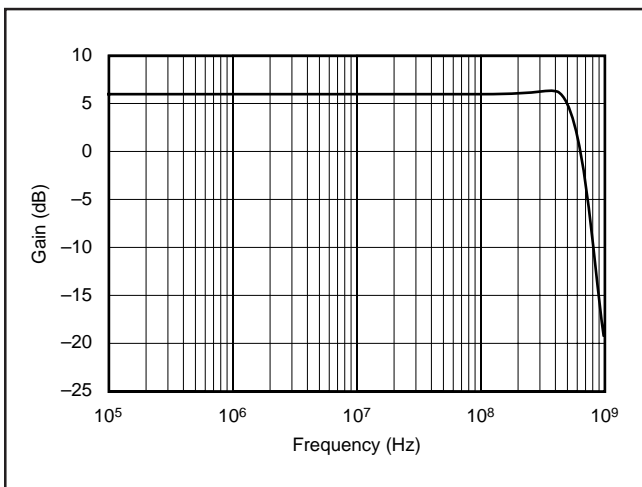


FIGURE 10. Noninverting Gain of +2 Response Using External Compensation.

## DIFFERENTIAL OPERATION

Operating two OPA846 amplifiers in a differential inverting configuration can further suppress even-order harmonic terms. The Typical Characteristic curves show measured performance for this condition. For the distortion data, the output swing is increased to  $4V_{PP}$  into  $400\Omega$  to allow direct comparison to the  $2V_{PP}$  into  $200\Omega$  data for single-channel operation. Figure 11 shows the swept frequency 2nd- and 3rd-harmonic distortion for an inverting differential configuration, where each channel is set up for a gain of 20.

Comparing this to the single-channel distortion (at 10MHz for instance), about the same 3rd-harmonic and about a 5dB improvement in the 2nd-harmonic is shown.

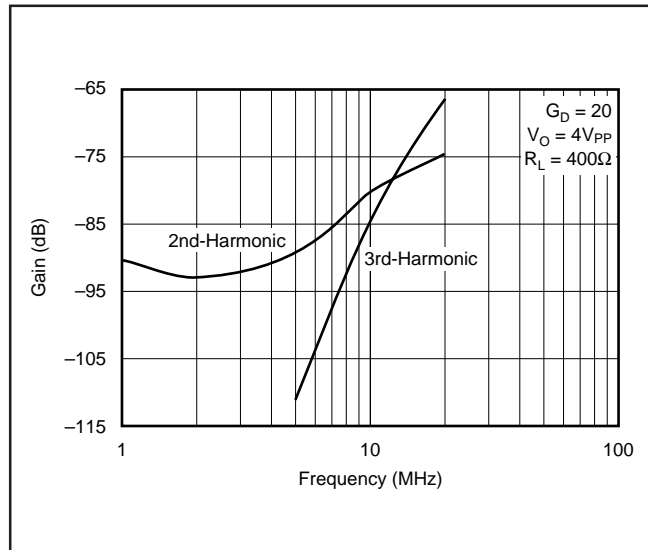


FIGURE 11. Differential Distortion vs Frequency.

## SINGLE-SUPPLY OPERATION

The OPA846 may be operated from a single power supply if system constraints require it. Operation from a single +5V to +12V supply is possible with minimal change in AC performance. The Typical Characteristics show the input and output voltage ranges for a bipolar supply range from  $\pm 2.5V$  to  $\pm 6V$ . The Common-Mode Input Range and Output Swing vs Supply Voltage plot shows that the required headroom on both the input and output nodes remains at approximately 1.5V over this entire range. On a single +5V supply for instance, this means the noninverting input should remain centered at  $2.5V \pm 1V$ , as should the output pin. See Figure 12 for an example application biasing the noninverting input at mid-supply and running an AC-coupled input to the inverting gain path. Since the gain resistor is blocked off for DC, the bias point on the noninverting input appears at the output, centering up that node, as well on the power supply. The OPA846 can support this mode of operation down to a single +5V supply and up to a single +12V supply.

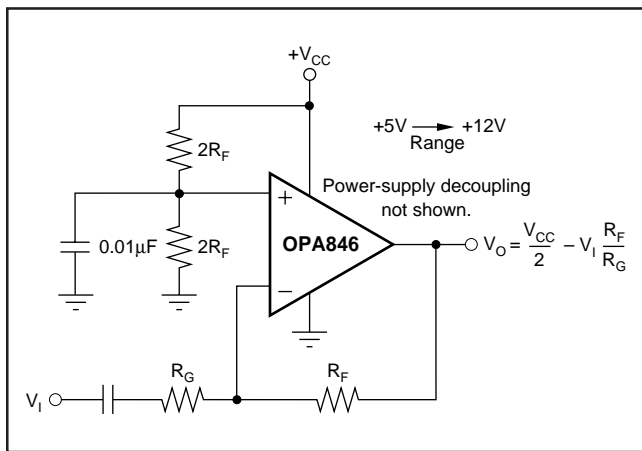


FIGURE 12. Single-Supply Inverting Amplifier.

## DESIGN-IN TOOLS

### DEMONSTRATION FIXTURES

Two printed circuit boards (PCBs) are available to assist in the initial evaluation of circuit performance using the OPA846 in its two package options. Both of these are offered free of charge as unpopulated PCBs, delivered with a user's guide. The summary information for these fixtures is shown in Table I.

PRODUCT	PACKAGE	ORDERING NUMBER	LITERATURE NUMBER
OPA846ID	SO-8	DEM-OPA-SO-1B	SBOU026
OPA846IDBV	SOT23-5	DEM-OPA-SOT-1B	SBOU027

TABLE I. Demonstration Fixtures by Package.

The demonstration fixtures can be requested at the Texas Instruments web site ([www.ti.com](http://www.ti.com)) through the OPA846 product folder.

### MACROMODELS AND APPLICATIONS SUPPORT

Computer simulation of circuit performance using SPICE is often a quick way to analyze the performance of the OPA846 and its circuit designs. This is particularly true for video and RF amplifier circuits where parasitic capacitance and inductance can play a major role on circuit performance. A SPICE model for the OPA846 is available through the TI web page ([www.ti.com](http://www.ti.com)). These models predict typical small-signal AC, transient steps, and DC performance under a wide variety of operating conditions. The models include the noise terms found in the electrical specification of this data sheet. These models do not attempt to distinguish between the package types in small-signal AC performance.

## OPERATING SUGGESTIONS

### SETTING RESISTOR VALUES TO MINIMIZE NOISE

The OPA846 provides a very low input noise voltage while requiring a low 12.6mA quiescent current. To take full advantage of this low input noise, careful attention to the other

possible noise contributors is required. Figure 13 shows the op amp noise analysis model with all the noise terms included. In this model, all the terms are taken to be noise voltage or current density terms in either nV/ $\sqrt{\text{Hz}}$  or pA/ $\sqrt{\text{Hz}}$ .

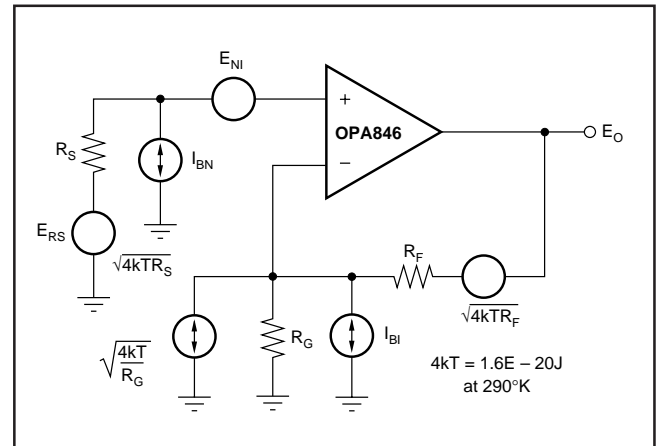


FIGURE 13. Op Amp Noise Analysis Model.

The total output spot noise voltage is computed as the square root of the squared contributing terms to the output noise voltage. This computation adds all the contributing noise powers at the output by superposition and then takes the square root of the terms to get back to a spot noise voltage. Equation 8 shows the general form for this output noise voltage using the terms of Figure 13.

$$E_O = \sqrt{(E_{NI}^2 + (I_{BN} R_S)^2 + 4kTR_S) NG^2 + (I_{BI} R_F)^2 + 4kTR_F NG} \quad (8)$$

Dividing this expression by the noise gain ( $NG = 1 + R_F/R_G$ ) gives the equivalent input-referred spot noise voltage at the noninverting input, as shown in Equation 9.

$$E_N = \sqrt{E_{NI}^2 + (I_{BN} R_S)^2 + 4kTR_S + \left(\frac{I_{BI} R_F}{NG}\right)^2 + \frac{4kTR_F}{NG}} \quad (9)$$

Setting high resistor values into Equation 9 can quickly dominate the total equivalent input referred noise. A 90 $\Omega$  source impedance on the noninverting input adds a Johnson voltage noise term equal to that of the amplifier. As a simplifying constraint, set  $R_G = R_S$  in Equation 9 and assume an  $R_S/2$  source impedance is at the noninverting input (where  $R_S$  is the signal source impedance with another matching  $R_S$  to ground on the noninverting input). This results in Equation 10, where  $NG > 10$  is assumed to further simplify the expression.

$$E_N = \sqrt{E_{NI}^2 + \frac{5}{4}(I_B R_S)^2 + 4kT\left(\frac{3R_S}{2}\right)} \quad (10)$$

Evaluating this expression for  $R_S = 50\Omega$  gives a total equivalent input noise of 1.7nV/ $\sqrt{\text{Hz}}$ . Note that the NG has dropped out of this expression.

This is valid only for  $NG > 10$  as will typically be required by stability considerations.

## FREQUENCY RESPONSE CONTROL

Voltage-feedback op amps exhibit decreasing closed-loop bandwidth as the signal gain is increased. In theory, this relationship is described by the GBP shown in the Electrical Characteristics. Ideally, dividing GBP by the noninverting signal gain (also called the noise gain, or NG) predicts the closed-loop bandwidth. In practice, this only holds true when the phase margin approaches  $90^\circ$ , as it does in high-gain configurations. At low gains (increased feedback factor), most high-speed amplifiers exhibit a more complex response with lower phase margin. The OPA846 is compensated to give a maximally flat 2nd-order Butterworth closed-loop response at a noninverting gain of +10 (see Figure 1). This results in a typical gain of +10 bandwidth of 400MHz, far exceeding that predicted by dividing the 1750MHz GBP by 10. Increasing the gain causes the phase margin to approach  $90^\circ$  and the bandwidth to more closely approach the predicted value of (GBP/NG). At a gain of +50, the OPA846 shows the 35MHz bandwidth predicted using the simple formula  $F_{-3dB} = \text{GBP}/\text{NG}$ .

Inverting operation offers some interesting opportunities to increase the available GBP. When the source impedance is matched by the gain resistor (see Figure 2), the signal gain is  $(-R_F/R_G)$ , while the noise gain for bandwidth purposes is  $(1 + R_F/2R_G)$ . This cuts the noise gain almost in half, increasing the minimum stable gain for inverting operation under these conditions to  $-12\text{V/V}$  and increases the equivalent GBP to  $> 3.5\text{GHz}$ .

## DRIVING CAPACITIVE LOADS

One of the most demanding and yet very common load conditions for an op amp is capacitive loading. Often the capacitive load is the input of an A/D converter, including additional external capacitance that may be recommended to improve A/D linearity. A high-speed, high open-loop gain amplifier like the OPA846 is susceptible to decreasing stability with capacitive loads and results in closed-loop response peaking when a capacitive load is placed directly on the amplifier output pin. If the primary considerations are frequency response flatness, pulse fidelity, and/or distortion, the simplest and most effective solution is to isolate the capacitive load from the feedback loop by inserting a series isolation resistor between the amplifier output and the capacitive load. This does not eliminate the pole from the loop response, but rather shifts it and adds a zero at a higher frequency. The additional zero acts to cancel the phase lag from the capacitive load pole, thus increasing the phase margin and improving stability.

The Typical Characteristic curves help the designer pick a recommended  $R_S$  versus Capacitive Load. The resulting frequency response curves show the flat response for a given capacitive load. Parasitic capacitive loads greater than 2pF can begin to degrade the performance of the OPA846. Long PC board traces, unmatched cables, and connections to multiple devices can easily add additional capacitance to the existing circuit. Always consider these effects carefully and add the recommended series resistor as close to the output pin of the OPA846 as possible (see the Board Layout section).

The criterion for setting the  $R_S$  resistor for maximum bandwidth, flat frequency response at the load is a simple procedure. For the OPA846 operating in a gain of  $+10\text{V/V}$ , the frequency response at the output pin is very flat to begin with, allowing relatively small values of  $R_S$  to be used for low capacitive loads. As the signal gain increases, the unloaded phase margin also increases. Driving capacitive loads at higher gain settings require lower  $R_S$  values than those shown for a gain of  $+10\text{V/V}$ .

## DISTORTION PERFORMANCE

The OPA846 is capable of delivering an exceptionally low distortion signal at high frequencies over a wide range of gains. The distortion plots found in the Typical Characteristic curves show the typical distortion under a wide variety of conditions. Most of these plots are limited to 110dB dynamic range. The OPA846 distortion, while driving a  $500\Omega$  load, does not rise above  $-90\text{dBc}$  until either the signal level exceeds  $2.0\text{V}_{PP}$  and/or the fundamental frequency exceeds 5MHz. Distortion in the audio band is  $< -120\text{dBc}$ .

Generally, until the fundamental signal reaches very high frequencies or power, the 2nd-harmonic dominates the distortion with negligible 3rd-harmonic component. Focusing then on the 2nd-harmonic, increasing the load impedance improves distortion directly. Remember that the total load includes the feedback network: in the noninverting configuration, this is the sum of  $R_F + R_G$ , while in the inverting configuration it is just  $R_F$  (see Figures 1 and 2). Increasing output voltage swing increases harmonic distortion directly. A 6dB increase in output swing generally increases the 2nd-harmonic to 12dB and the 3rd-harmonic to 18dB. Increasing the signal gain also increases the 2nd-harmonic distortion. Again, a 6dB increase in gain increases the 2nd- and 3rd-harmonic by approximately 6dB, even with constant output power and frequency. Finally, the distortion increases as the fundamental frequency increases, due to the roll-off in the loop gain with frequency. Conversely, the distortion improves going to lower frequencies down to the dominant open-loop pole at approximately 100kHz. Starting from the  $-86\text{dBc}$  2nd-harmonic for a 5MHz,  $2\text{V}_{PP}$  fundamental into a  $200\Omega$  load at a gain =  $+10\text{V/V}$  (from the Typical Characteristic curves), the 2nd-harmonic distortion for frequencies lower than 100kHz is approximately  $-86\text{dBc} - 20 \log(5\text{MHz}/100\text{kHz}) = -120\text{dBc}$ .

The OPA846 has extremely low 3rd-order distortion. This also gives a high 2-tone, 3rd-order intermodulation intercept, as shown in the Typical Characteristic curves. This intercept curve is defined at the  $50\Omega$  load when driven through a  $50\Omega$ -matching resistor to allow direct comparisons to  $R_F$  devices. This matching network attenuates the voltage swing from the output pin to the load by 6dB. If the OPA846 drives directly into the input of a high-impedance device, such as an A/D converter, the 6dB attenuation is not present. Under these conditions, the intercept increases by a minimum of 6dBm. The intercept is used to predict the intermodulation spurious for two closely-spaced frequencies. If the two test frequencies  $f_1$  and  $f_2$  are specified in terms of average and delta frequency,  $f_0 = (f_1 + f_2)/2$  and  $\Delta f = |f_2 - f_1|/2$ , the two 3rd-order, close-in spurious tones appear at  $f_0 \pm 3 \cdot \Delta f$ . The



difference between the two equal test-tone power levels and these intermodulation spurious power levels is given by  $\Delta\text{dBc} = 2 \cdot (\text{IM3} - P_O)$  where IM3 is the intercept taken from the typical characteristic curve and  $P_O$  is the power level in dBm at the 50Ω load for one of the two closely-spaced test frequencies. At 5MHz for instance, the OPA846 at a gain of +10V/V has an intercept of 48dBm at a matched 50Ω load. If the full envelope of the two frequencies needs to be  $2V_{PP}$ , this requires each tone to be 4dBm. The 3rd-order intermodulation spurious tones are  $2 \cdot (48 - 4) = 88\text{dBc}$  below the test-tone power level (−84dBm). If this same  $2V_{PP}$ , 2-tone envelope were delivered directly into the input of an A/D converter—without the matching loss or the loading of the 50Ω network—the intercept would increase to at least 54dBm. With the same signal and gain conditions, but now driving directly into a light load, the spurious tones will then be at least  $2 \cdot (54 - 4) = 100\text{dBc}$  below the 4dBm test-tone power levels centered on 5MHz.

## DC ACCURACY AND OFFSET CONTROL

The OPA846 can provide excellent DC signal accuracy due to its high open-loop gain, high common-mode rejection, high power-supply rejection, and low input offset voltage and bias current offset errors. To take full advantage of its low  $\pm 0.6\text{mV}$  maximum (25°C) input offset voltage, careful attention to input bias current cancellation is also required. The low-noise input stage for the OPA846 has a relatively high input bias current (10μA typical into the pins), but with a very close match between the two input currents—typically  $\pm 100\text{nA}$  input offset current. Figures 14 and 15 show typical distributions of input offset voltage and current for the OPA846. The total output offset voltage can be considerably reduced by matching the source impedances looking out of the two pins.

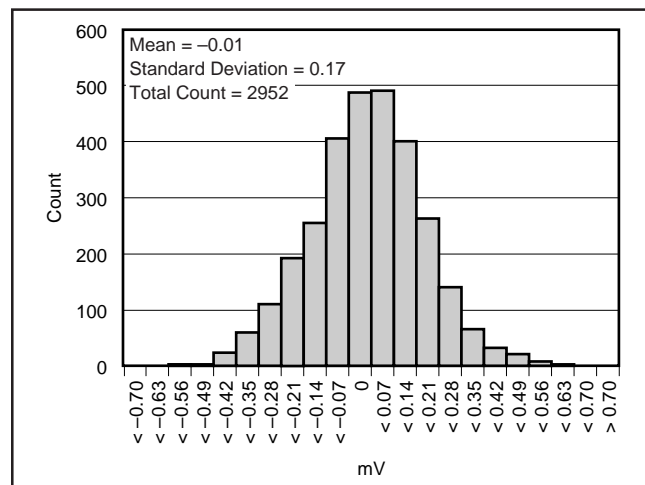


FIGURE 14. Input Offset Voltage Distribution.

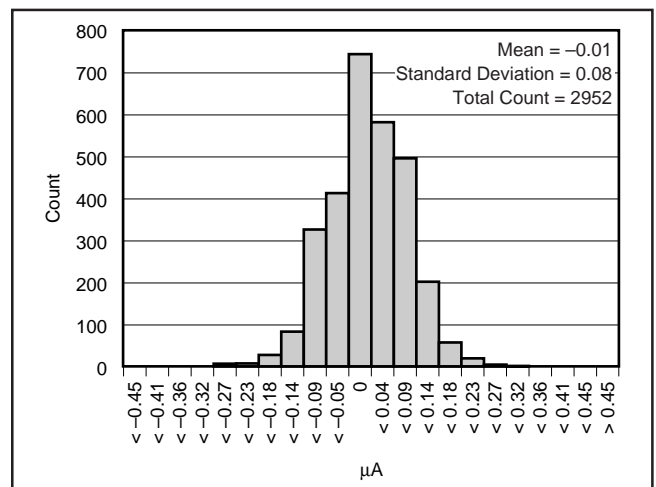


FIGURE 15. Input Offset Current Distribution.

For example, one way to add bias current cancellation to the circuit of Figure 1 would be to insert a 20Ω series resistor into the noninverting input from the 50Ω terminating resistor. When the 50Ω source resistor is DC-coupled, this increases the source resistances for the noninverting input bias current to 45Ω. Since this is now equal to the resistance looking out of the inverting input ( $R_F \parallel R_G$ ), the circuit cancels the gains for the bias currents to the output, leaving only the offset current times the feedback resistor as a residual DC error term at the output. Using the 453Ω feedback resistor, this output error is now less than  $\pm 600\text{nA} \cdot 453\Omega = \pm 272\mu\text{V}$  over the full temperature range.

A fine-scale output offset null, or DC operating point adjustment, is often required. Numerous techniques are available for introducing a DC offset control into an op amp circuit. Most of these techniques eventually reduce to setting up a DC current through the feedback resistor. One key consideration to selecting a technique is to ensure that it has minimal impact on the desired signal path frequency response. If the signal path is intended to be noninverting, the offset control is best applied as an inverting summing signal to avoid interaction with the signal source. If the signal path uses the inverting mode, applying an offset control to the noninverting input can be considered. For a DC-coupled inverting input signal, this DC offset signal sets up a DC current back into the source that must be considered. An offset adjustment placed on the inverting op amp input can also change the noise gain and frequency response flatness. See Figure 16 for one example of an offset adjustment for a DC-coupled signal path that has minimum impact on the signal frequency response. In this case, the input is brought into an inverting gain resistor with the DC adjustment as an additional current summed into the inverting node. The resistor values for setting this offset adjustment are chosen to be much larger than the signal path resistors. This ensures that the adjustment has minimal impact on the loop gain and hence, the frequency response.

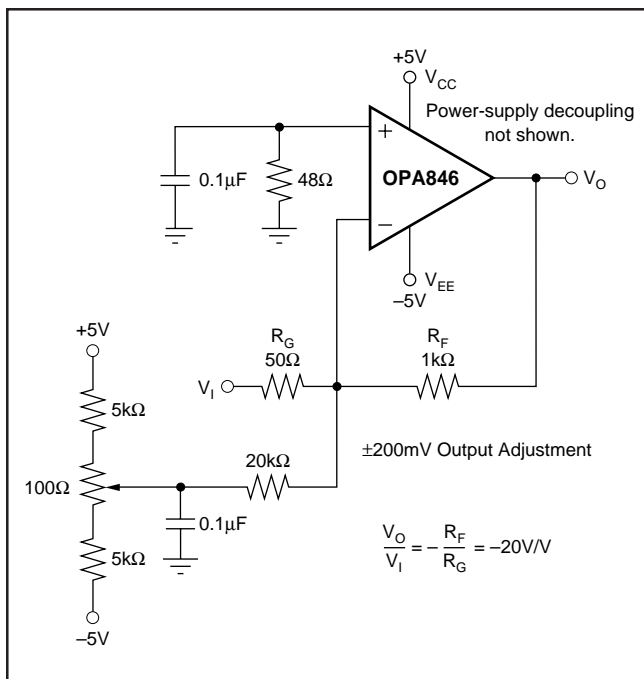


FIGURE 16. DC-Coupled, Inverting Gain of  $-20\text{V/V}$  with Output Offset Adjustment.

## THERMAL ANALYSIS

The OPA846 does not require heat sinking or airflow in most applications. Maximum desired junction temperature sets the maximum allowed internal power dissipation as described following. In no case should the maximum junction temperature be allowed to exceed  $+150^{\circ}\text{C}$ .

Operating junction temperature ( $T_J$ ) is given by  $T_A + P_D \cdot \theta_{JA}$ . The total internal power dissipation ( $P_D$ ) is the sum of quiescent power ( $P_{DQ}$ ) and additional power dissipated in the output stage ( $P_{DL}$ ) to deliver load power. Quiescent power is the specified no-load supply current times the total supply voltage across the part.  $P_{DL}$  depends on the required output signal and load but would, for a grounded resistive load, be at a maximum when the output is fixed at a voltage equal to  $1/2$  either supply voltage (for equal bipolar supplies). Under this worst-case condition,  $P_{DL} = V_S^2 / (4 \cdot R_L)$ , where  $R_L$  includes the feedback network loading.

Note that it is the power in the output stage and not in the load that determines internal power dissipation.

As a worst-case example, compute the maximum  $T_J$  using an OPA846IDBV (SOT23-5 package) in the circuit of Figure 1 operating at the maximum specified ambient temperature of  $+85^{\circ}\text{C}$  and driving a grounded  $100\Omega$  load at  $+2.5V_{DC}$ .

$$P_D = 10\text{V}(13.9\text{mA}) + 5^2 / (4 \cdot (100\Omega \parallel 500\Omega)) = 214\text{mW}$$

$$\text{Maximum } T_J = +85^{\circ}\text{C} + (0.21\text{W} \cdot 150^{\circ}\text{C/W}) = 117^{\circ}\text{C}$$

All actual applications will operate at a lower junction temperature than the  $117^{\circ}\text{C}$  computed above. Compute the actual stage power to get an accurate estimate of maximum junction temperature, or use the results shown here as an absolute maximum.

## BOARD LAYOUT

Achieving optimum performance with a high-frequency amplifier such as the OPA846 requires careful attention to board layout parasitics and external component types. Recommendations that optimize performance include:

**a) Minimize parasitic capacitance to any AC ground for all of the signal I/O pins.** Parasitic capacitance on the output and inverting input pins can cause instability: on the noninverting input, it can react with the source impedance to cause unintentional bandlimiting. To reduce unwanted capacitance, create a window around the signal I/O pins leave opened in all of the ground and power planes around those pins.

**b) Minimize the distance ( $< 0.25''$ ) from the power-supply pins to high-frequency  $0.1\mu\text{F}$  decoupling capacitors.** At the device pins, the ground and power plane layout should not be in close proximity to the signal I/O pins. Avoid narrow power and ground traces to minimize inductance between the pins and the decoupling capacitors. The power-supply connections should always be decoupled with these capacitors. Larger ( $2.2\mu\text{F}$  to  $6.8\mu\text{F}$ ) decoupling capacitors are effective at lower frequencies, and are recommended on the main supply pins. These may be placed somewhat further from the device and shared among several devices in the same area of the PC board.

**c) Careful selection and placement of external components preserves the high-frequency performance of the OPA846.** Use resistors that have low reactance at high frequencies. Surface-mount resistors work best and allow a tighter overall layout. Metal-film and carbon composition, axially leaded resistors can also provide good high-frequency performance. Again, keep their leads and PC board trace length as short as possible. Never use wire wound type resistors in a high-frequency application. Since the output pin and inverting input pin are the most sensitive to parasitic capacitance, always position the feedback and series output resistor, if any, as close as possible to the output pin. Other network components, such as noninverting input termination resistors, should also be placed close to the package. Where double-feedback side component mounting is allowed, place the feedback resistor directly under the package on the other side of the board between the output and inverting input pins. Even with a low parasitic capacitance shunting the external resistors, excessively high resistor values can create significant time constants that can degrade performance. Good axial metal-film or surface-mount resistors have approximately  $0.2\text{pF}$  in shunt with the resistor. For resistor values  $> 1.5\text{k}\Omega$ , this parasitic capacitance can add a pole and/or a zero below  $500\text{MHz}$  that can effect circuit operation. Keep resistor values as low as possible consistent with load driving considerations. It has been suggested here that a good starting point for design would be set the  $R_G$  be set to  $50\Omega$ . Doing this automatically keeps the resistor noise terms low, and minimizes the effect of parasitic capacitance. Transimpedance applications can use much higher resistor values. The compensation techniques described in this data sheet allow excellent frequency response control, even with very high feedback resistor values.

**d) Connections to other wideband devices on the board may be made with short direct traces or through onboard transmission lines.** For short connections, consider the trace and the input to the next device as a lumped capacitive load. Relatively wide traces (50mils to 100mils) should be used, preferably with ground and power planes opened up around them. Estimate the total capacitive load and set  $R_S$  from the plot of Recommended  $R_S$  vs Capacitive Load. Low parasitic capacitive loads ( $< 5\text{pF}$ ) may not need an  $R_S$ , since the OPA846 is nominally compensated to operate with a  $2\text{pF}$  parasitic load. Higher parasitic capacitive loads without an  $R_S$  are allowed, as the signal gain increases (increasing the unloaded phase margin). If a long trace is required, and the 6dB signal loss intrinsic to a doubly-terminated transmission line is acceptable, implement a matched impedance transmission line using microstrip or stripline techniques (consult an ECL design handbook for microstrip and stripline layout techniques). A  $50\Omega$  environment is normally not necessary onboard and, in fact, a higher impedance environment improves distortion, as shown in the distortion versus load plots. With a characteristic board trace impedance defined based on board material and trace dimensions, a matching series resistor into the trace from the output of the OPA846 is used, as well as a terminating shunt resistor at the input of the destination device. Remember also that the terminating impedance is the parallel combination of the shunt resistor and input impedance of the destination device; this total effective impedance should be set to match the trace impedance. If the 6dB attenuation of a doubly-terminated transmission line is unacceptable, a long trace can be series-terminated at the source end only. Treat the trace as a capacitive load in this case and set the series resistor value as shown in the plot of Recommended  $R_S$  vs Capacitive Load. This does not preserve signal integrity as well as a doubly-terminated line. If the input impedance of the destination device is low, there will be some signal attenuation due to the voltage divider formed by the series output into the terminating impedance.

**e) Socketing a high-speed part like the OPA846 is not recommended.** The additional lead length and pin-to-pin capacitance introduced by the socket can create an extremely troublesome parasitic network, which can make it almost impossible to achieve a smooth, stable frequency response. Best results are obtained by soldering the OPA846 onto the board.

### INPUT AND ESD PROTECTION

The OPA846 is built using a very high-speed complementary bipolar process. The internal junction breakdown voltages are relatively low for these very small geometry devices. These breakdowns are reflected in the Absolute Maximum Ratings table. All device pins are protected with internal ESD protection diodes to the power supplies, as shown in Figure 17.

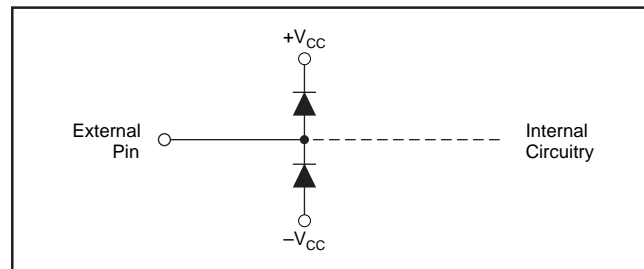


FIGURE 17. Internal ESD Protection.

These diodes provide moderate protection to input overdrive voltages above the supplies as well. The protection diodes can typically support  $30\text{mA}$  continuous current. Where higher currents are possible (e.g., in systems with  $\pm 15\text{V}$  supply parts driving into the OPA846), current-limiting series resistors should be added into the two inputs. Keep these resistor values as low as possible, since high values degrade both noise performance and frequency response.

## Revision History

DATE	REVISION	PAGE	SECTION	DESCRIPTION
3/23/06	D	15	Design-In Tools	Board part number changed.

NOTE: Page numbers for previous revisions may differ from page numbers in the current version.

**PACKAGING INFORMATION**

Orderable Device	Status <sup>(1)</sup>	Package Type	Package Drawing	Pins	Package Qty	Eco Plan <sup>(2)</sup>	Lead/Ball Finish	MSL Peak Temp <sup>(3)</sup>
OPA846ID	ACTIVE	SOIC	D	8	100	Green (RoHS & no Sb/Br)	CU NIPDAU	Level-2-260C-1 YEAR
OPA846IDBVR	ACTIVE	SOT-23	DBV	5	3000	Green (RoHS & no Sb/Br)	CU NIPDAU	Level-2-260C-1 YEAR
OPA846IDBVRG4	ACTIVE	SOT-23	DBV	5	3000	Green (RoHS & no Sb/Br)	CU NIPDAU	Level-2-260C-1 YEAR
OPA846IDBVT	ACTIVE	SOT-23	DBV	5	250	Green (RoHS & no Sb/Br)	CU NIPDAU	Level-2-260C-1 YEAR
OPA846IDBVTG4	ACTIVE	SOT-23	DBV	5	250	Green (RoHS & no Sb/Br)	CU NIPDAU	Level-2-260C-1 YEAR
OPA846IDG4	ACTIVE	SOIC	D	8	100	Green (RoHS & no Sb/Br)	CU NIPDAU	Level-2-260C-1 YEAR
OPA846IDR	ACTIVE	SOIC	D	8	2500	Green (RoHS & no Sb/Br)	CU NIPDAU	Level-2-260C-1 YEAR
OPA846IDRG4	ACTIVE	SOIC	D	8	2500	Green (RoHS & no Sb/Br)	CU NIPDAU	Level-2-260C-1 YEAR

<sup>(1)</sup> The marketing status values are defined as follows:

**ACTIVE:** Product device recommended for new designs.

**LIFEBUY:** TI has announced that the device will be discontinued, and a lifetime-buy period is in effect.

**NRND:** Not recommended for new designs. Device is in production to support existing customers, but TI does not recommend using this part in a new design.

**PREVIEW:** Device has been announced but is not in production. Samples may or may not be available.

**OBSOLETE:** TI has discontinued the production of the device.

<sup>(2)</sup> Eco Plan - The planned eco-friendly classification: Pb-Free (RoHS), Pb-Free (RoHS Exempt), or Green (RoHS & no Sb/Br) - please check <http://www.ti.com/productcontent> for the latest availability information and additional product content details.

**TBD:** The Pb-Free/Green conversion plan has not been defined.

**Pb-Free (RoHS):** TI's terms "Lead-Free" or "Pb-Free" mean semiconductor products that are compatible with the current RoHS requirements for all 6 substances, including the requirement that lead not exceed 0.1% by weight in homogeneous materials. Where designed to be soldered at high temperatures, TI Pb-Free products are suitable for use in specified lead-free processes.

**Pb-Free (RoHS Exempt):** This component has a RoHS exemption for either 1) lead-based flip-chip solder bumps used between the die and package, or 2) lead-based die adhesive used between the die and leadframe. The component is otherwise considered Pb-Free (RoHS compatible) as defined above.

**Green (RoHS & no Sb/Br):** TI defines "Green" to mean Pb-Free (RoHS compatible), and free of Bromine (Br) and Antimony (Sb) based flame retardants (Br or Sb do not exceed 0.1% by weight in homogeneous material)

<sup>(3)</sup> MSL, Peak Temp. -- The Moisture Sensitivity Level rating according to the JEDEC industry standard classifications, and peak solder temperature.

**Important Information and Disclaimer:**The information provided on this page represents TI's knowledge and belief as of the date that it is provided. TI bases its knowledge and belief on information provided by third parties, and makes no representation or warranty as to the accuracy of such information. Efforts are underway to better integrate information from third parties. TI has taken and continues to take reasonable steps to provide representative and accurate information but may not have conducted destructive testing or chemical analysis on incoming materials and chemicals. TI and TI suppliers consider certain information to be proprietary, and thus CAS numbers and other limited information may not be available for release.

In no event shall TI's liability arising out of such information exceed the total purchase price of the TI part(s) at issue in this document sold by TI to Customer on an annual basis.

**TAPE AND REEL INFORMATION**



**QUADRANT ASSIGNMENTS FOR PIN 1 ORIENTATION IN TAPE**



\*All dimensions are nominal

Device	Package Type	Package Drawing	Pins	SPQ	Reel Diameter (mm)	Reel Width W1 (mm)	A0 (mm)	B0 (mm)	K0 (mm)	P1 (mm)	W (mm)	Pin1 Quadrant
OPA846IDBVR	SOT-23	DBV	5	3000	180.0	8.4	3.2	3.1	1.39	4.0	8.0	Q3
OPA846IDBVT	SOT-23	DBV	5	250	180.0	8.4	3.2	3.1	1.39	4.0	8.0	Q3
OPA846IDR	SOIC	D	8	2500	330.0	12.4	6.4	5.2	2.1	8.0	12.0	Q1

**TAPE AND REEL BOX DIMENSIONS**



\*All dimensions are nominal

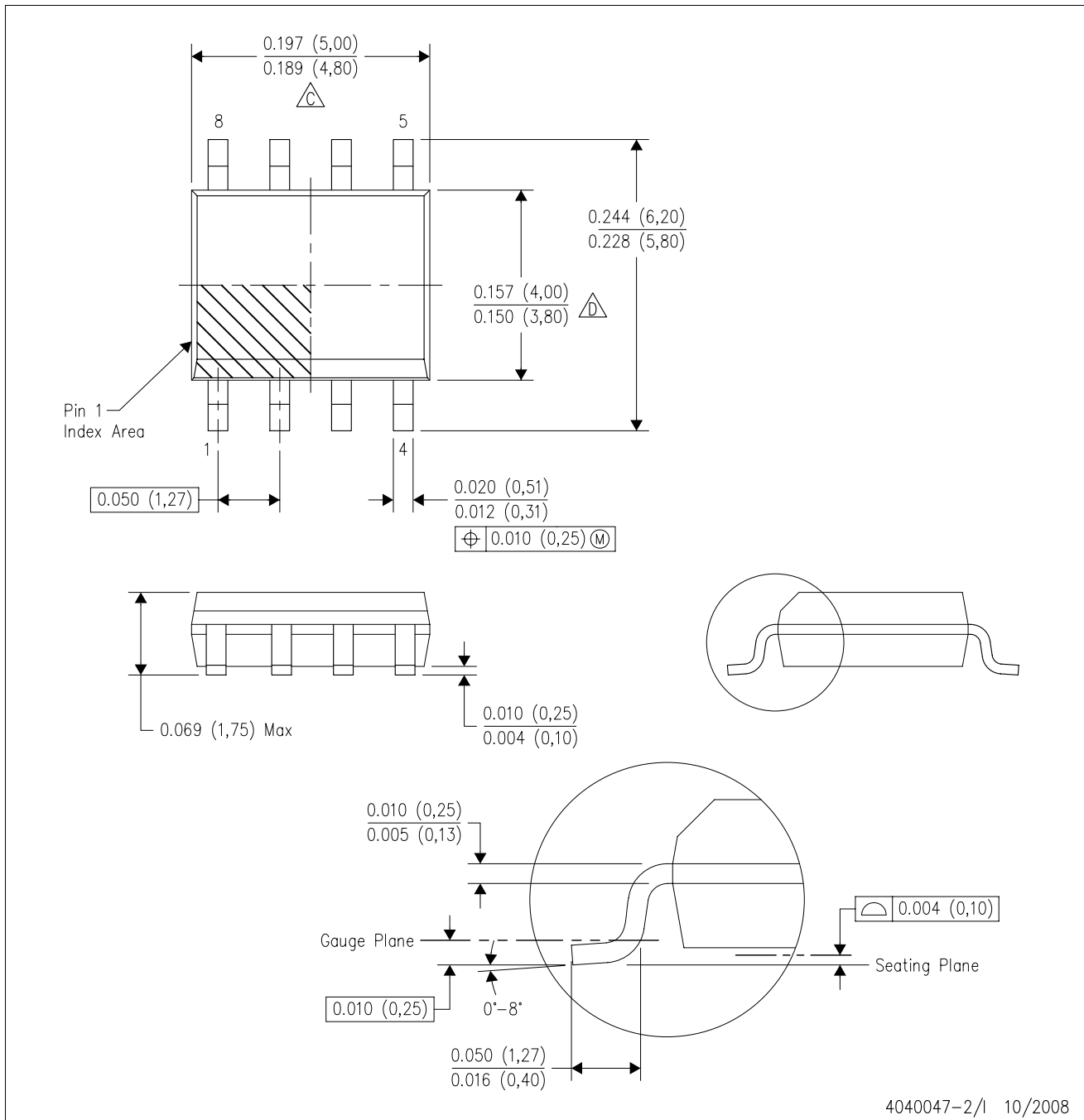
Device	Package Type	Package Drawing	Pins	SPQ	Length (mm)	Width (mm)	Height (mm)
OPA846IDBVR	SOT-23	DBV	5	3000	190.5	212.7	31.8
OPA846IDBVT	SOT-23	DBV	5	250	190.5	212.7	31.8
OPA846IDR	SOIC	D	8	2500	346.0	346.0	29.0







D (R-PDSO-G8)

PLASTIC SMALL-OUTLINE PACKAGE



- NOTES:
- A. All linear dimensions are in inches (millimeters).
  - B. This drawing is subject to change without notice.
  -  Body length does not include mold flash, protrusions, or gate burrs. Mold flash, protrusions, or gate burrs shall not exceed .006 (0,15) per end.
  -  Body width does not include interlead flash. Interlead flash shall not exceed .017 (0,43) per side.
  - E. Reference JEDEC MS-012 variation AA.

## IMPORTANT NOTICE

Texas Instruments Incorporated and its subsidiaries (TI) reserve the right to make corrections, modifications, enhancements, improvements, and other changes to its products and services at any time and to discontinue any product or service without notice. Customers should obtain the latest relevant information before placing orders and should verify that such information is current and complete. All products are sold subject to TI's terms and conditions of sale supplied at the time of order acknowledgment.

TI warrants performance of its hardware products to the specifications applicable at the time of sale in accordance with TI's standard warranty. Testing and other quality control techniques are used to the extent TI deems necessary to support this warranty. Except where mandated by government requirements, testing of all parameters of each product is not necessarily performed.

TI assumes no liability for applications assistance or customer product design. Customers are responsible for their products and applications using TI components. To minimize the risks associated with customer products and applications, customers should provide adequate design and operating safeguards.

TI does not warrant or represent that any license, either express or implied, is granted under any TI patent right, copyright, mask work right, or other TI intellectual property right relating to any combination, machine, or process in which TI products or services are used. Information published by TI regarding third-party products or services does not constitute a license from TI to use such products or services or a warranty or endorsement thereof. Use of such information may require a license from a third party under the patents or other intellectual property of the third party, or a license from TI under the patents or other intellectual property of TI.

Reproduction of TI information in TI data books or data sheets is permissible only if reproduction is without alteration and is accompanied by all associated warranties, conditions, limitations, and notices. Reproduction of this information with alteration is an unfair and deceptive business practice. TI is not responsible or liable for such altered documentation. Information of third parties may be subject to additional restrictions.

Resale of TI products or services with statements different from or beyond the parameters stated by TI for that product or service voids all express and any implied warranties for the associated TI product or service and is an unfair and deceptive business practice. TI is not responsible or liable for any such statements.

TI products are not authorized for use in safety-critical applications (such as life support) where a failure of the TI product would reasonably be expected to cause severe personal injury or death, unless officers of the parties have executed an agreement specifically governing such use. Buyers represent that they have all necessary expertise in the safety and regulatory ramifications of their applications, and acknowledge and agree that they are solely responsible for all legal, regulatory and safety-related requirements concerning their products and any use of TI products in such safety-critical applications, notwithstanding any applications-related information or support that may be provided by TI. Further, Buyers must fully indemnify TI and its representatives against any damages arising out of the use of TI products in such safety-critical applications.

TI products are neither designed nor intended for use in military/aerospace applications or environments unless the TI products are specifically designated by TI as military-grade or "enhanced plastic." Only products designated by TI as military-grade meet military specifications. Buyers acknowledge and agree that any such use of TI products which TI has not designated as military-grade is solely at the Buyer's risk, and that they are solely responsible for compliance with all legal and regulatory requirements in connection with such use.

TI products are neither designed nor intended for use in automotive applications or environments unless the specific TI products are designated by TI as compliant with ISO/TS 16949 requirements. Buyers acknowledge and agree that, if they use any non-designated products in automotive applications, TI will not be responsible for any failure to meet such requirements.

Following are URLs where you can obtain information on other Texas Instruments products and application solutions:

### Products

Amplifiers	<a href="http://amplifier.ti.com">amplifier.ti.com</a>
Data Converters	<a href="http://dataconverter.ti.com">dataconverter.ti.com</a>
DSP	<a href="http://dsp.ti.com">dsp.ti.com</a>
Clocks and Timers	<a href="http://www.ti.com/clocks">www.ti.com/clocks</a>
Interface	<a href="http://interface.ti.com">interface.ti.com</a>
Logic	<a href="http://logic.ti.com">logic.ti.com</a>
Power Mgmt	<a href="http://power.ti.com">power.ti.com</a>
Microcontrollers	<a href="http://microcontroller.ti.com">microcontroller.ti.com</a>
RFID	<a href="http://www.ti-rfid.com">www.ti-rfid.com</a>
RF/IF and ZigBee® Solutions	<a href="http://www.ti.com/lprf">www.ti.com/lprf</a>

### Applications

Audio	<a href="http://www.ti.com/audio">www.ti.com/audio</a>
Automotive	<a href="http://www.ti.com/automotive">www.ti.com/automotive</a>
Broadband	<a href="http://www.ti.com/broadband">www.ti.com/broadband</a>
Digital Control	<a href="http://www.ti.com/digitalcontrol">www.ti.com/digitalcontrol</a>
Medical	<a href="http://www.ti.com/medical">www.ti.com/medical</a>
Military	<a href="http://www.ti.com/military">www.ti.com/military</a>
Optical Networking	<a href="http://www.ti.com/opticalnetwork">www.ti.com/opticalnetwork</a>
Security	<a href="http://www.ti.com/security">www.ti.com/security</a>
Telephony	<a href="http://www.ti.com/telephony">www.ti.com/telephony</a>
Video & Imaging	<a href="http://www.ti.com/video">www.ti.com/video</a>
Wireless	<a href="http://www.ti.com/wireless">www.ti.com/wireless</a>

Mailing Address: Texas Instruments, Post Office Box 655303, Dallas, Texas 75265  
Copyright © 2008, Texas Instruments Incorporated